



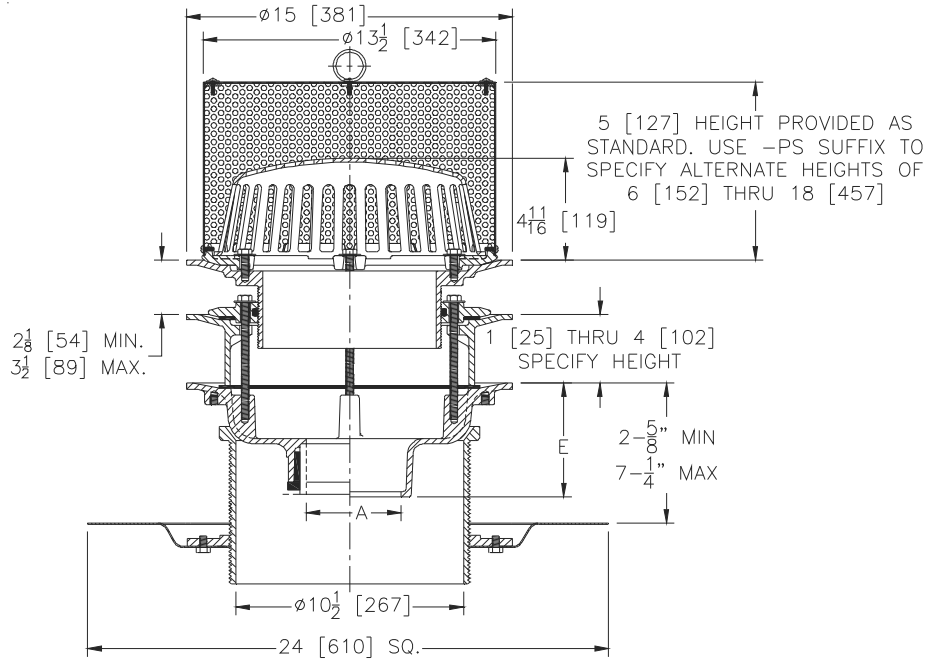
Z110-DR-E-EA

15 [381] DIAMETER MAIN ROOF DRAIN W/ TOP-SET
DRAIN RISER, STATIC EXTENSION, AND ADJUSTABLE
EXTENSION

SPECIFICATION SHEET

TAG _____

Dimensional Data (inches and [mm]) are Subject to Manufacturing Tolerances and Change Without Notice



A Pipe Size in [mm]	Approx Wt. lbs [kg]	Dome Open Area in ² [cm ²]
2,3,4 [51,76,102]	46 [21]	103 [665]
6 [152]	47 [21]	
8 [203]	46 [21]	

ENGINEERING SPECIFICATION: ZURN Z110-DR-E-EA
15" [381mm] Diameter Green roof drain. Dura-Coated cast iron body with Top-Set® Drain Riser, static extension, adjustable extension assembly, combination membrane flashing clamp/gravel guard and low silhouette Poly-Dome. Complete with secured Type 304 (CF8) stainless steel perforated screen assembly with secured removable access cover with lift handle.

OPTIONS (Check/specify appropriate options)

PIPE SIZE

- 3,4,6 [76,102,152]
- 2,3,4,6, 8 [51,76,102,152,203]
- 2,3,4,6, 8 [51,76,102,152,203]
- 2,3,4 [51,76,102]
- 6 [152]

(Specify size/type) **OUTLET**

- _____ IC Inside Caulk
- _____ IP Threaded
- _____ NH No-Hub
- _____ NL Neo-Loc
- _____ NL Neo-Loc

E BODY HT. DIM.

- 5-1/4 [133]
- 3-3/4 [95]
- 5-1/4 [133]
- 4-5/8 [117]
- 5-7/16 [138]

PREFIXES

- _____ Z D.C.C.I. Body with Poly-Dome*
- _____ ZA D.C.C.I. Body with Aluminum Dome

- _____ ZC D.C.C.I. Body with Cast Iron Dome

SUFFIXES

- _____ -AR Acid Resistant Epoxy Coated
- _____ -AW 3/4 [19] to 4 [102] Adjustable Water Level Regulator (Specify Height) (ZC Only)
- _____ -G Galvanized Cast Iron
- _____ -HD 6-3/4 [171] High Aluminum Dome (148 sq. in. [955 cm²] open area)
- _____ -PS Perforated Screen 6 [152] thru 18 [457] (Specify Height Required)
- _____ -SC Secondary Clamping Collar
- _____ -ST Dome w/ Solid Top (ZA and ZC Only)

- _____ -TC Neo-Loc Test Cap Gasket (2,3,4 [51,76,102] NL Bottom Outlet Only)
- _____ -VP Vandal Proof Secured Top
- _____ -W2 2 [51] Internal Water Dam
- _____ -W3 3 [76] Internal Water Dam
- _____ -W4 4 [102] Internal Water Dam
- _____ -85 Stainless Steel Perforated Extension

* Regularly furnished unless otherwise specified.