



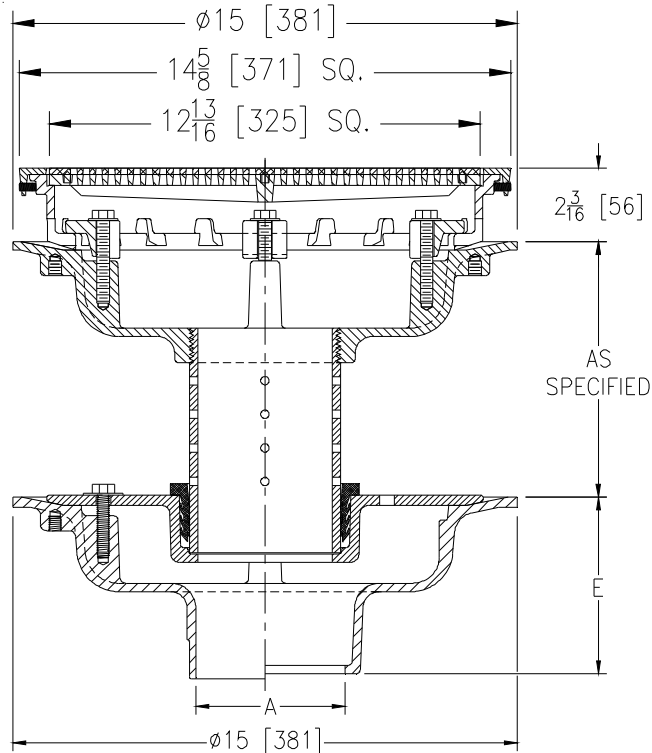
# Z624-110

## ISOLATION DECK DRAIN W/ 14-5/8 [371] SQUARE TOP DECORATIVE PROMENADE DECK DRAIN

SPECIFICATION SHEET

TAG \_\_\_\_\_

Dimensional Data (inches and [ mm ]) are Subject to Manufacturing Tolerances and Change Without Notice



A Pipe Size	Approx. Wt. Lbs. [kg]	Grate Open Area Sq. In. [cm <sup>2</sup> ]
2,3,4 [51,76, 02]	42 [19]	56 [361]
5,6 [127,152]		

### ENGINEERING SPECIFICATION: ZURNZ624-110

Floating slab drain, Dura-Coated cast iron upper and lower bodies, clamp collar with weep holes, neoprene flex gasket, perforated isolation nipple, rotatable square promenade frame with seepage openings, frame clamps, and decorative light-duty heel-proof grate with 3/16 [5] wide slots.

### OPTIONS (Check/specify appropriate options)

#### PIPE SIZE

2,3,4,5,6 [51,76,102,127,152]  
 2, 3, 4, 6 [51,76,102,152]  
 2,3,4,5,6 [51,76,102,127,152]  
 2,3,4,5,6 [51,76,102,127,152]  
 2, 3, 4 [51,76,102]

#### (Specify size/type) OUTLET

\_\_\_ IC Inside Caulk  
 \_\_\_ IG Inside Gasket  
 \_\_\_ IP Threaded  
 \_\_\_ NH No-Hub  
 \_\_\_ NL Neo-Loc

#### 'E' BODY HT. DIM.

5-1/4 [133]  
 5-1/4 [133]  
 3-3/4 [95]  
 5-1/4 [133]  
 4-5/8 [117]

#### PREFIXES

\_\_\_ ZB D.C.C.I Body w/ Decorative Polished Bronze Top  
 \_\_\_ ZN D.C.C.I Body w/ Decorative Polished Nickel Bronze Top\*

#### SUFFIXES

\_\_\_ -C Underdeck Clamp (Lower Body)  
 \_\_\_ -DP Top-Set® Roof Deck Plate (Lower Body)  
 \_\_\_ -DX Dex-o-tex Flange (Upper Body)  
 \_\_\_ -G Galvanized Cast Iron  
 \_\_\_ -R Sump Receiver (Lower Body)  
 \_\_\_ -S Secondary Strainer (Upper Body)  
 \_\_\_ -TS Top Secured with Slotted Screws  
 \_\_\_ -VP Vandal-Proof Secured Top  
 \_\_\_ -Y Sediment Bucket (Upper Body)

\* Regularly furnished unless otherwise specified.