



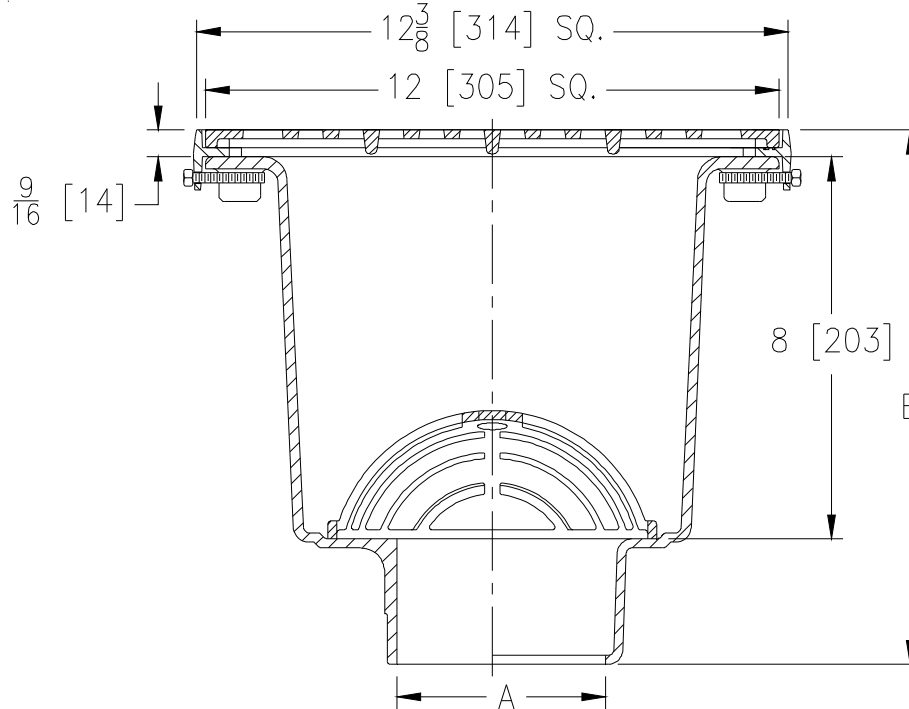
# ZN1901-11

12-3/8 X 12-3/8 [314 X 314] A.R.E. SANI-FLOOR  
RECEPTOR 8 [203] SUMP DEPTH  
W/ N.B. FRAME & VANDAL-PROOF SECURED GRATE

SPECIFICATION SHEET

TAG \_\_\_\_\_

Dimensional Data (inches and [ mm ]) are Subject to Manufacturing Tolerances and Change Without Notice



A- Pipe Size In. [mm]	Approx Wt. Lbs. [kg]	Grate Open Area Sq. In. [cm <sup>2</sup> ]
2, 3, 4 [51, 76, 102]	34 [15]	44 [284]

### ENGINEERING SPECIFICATION: ZURN ZN1901-11

Sani-Floor Receptor 12-3/8" x 12-3/8" x 8" [314mm x 314mm x 203mm] deep cast iron body with white acid resisting porcelain enamel interior, black ground enamel exterior coating, with nickel bronze frame and vandal proof secured grate, complete with white ABS anti-splash interior bottom dome strainer.

### OPTIONS (Check/specify appropriate options)

#### PIPE SIZE

3, 4 [76, 102]  
2, 3, 4 [51, 76, 102]  
2, 3, 4 [51, 76, 102]

#### (Specify size/type) OUTLET

\_\_\_\_\_ IC Inside-Caulk  
\_\_\_\_\_ NH No-Hub  
\_\_\_\_\_ NL Neo-Loc

#### 'E' DIMENSION

11-1/8 [283]  
11-1/8 [283]  
10-1/2 [267]

### PREFIXES

\_\_\_\_\_ ZN Cast Iron Body with White A.R.E. Interior, 12-3/8 [314] Square N.B. Frame and Full Grate with 1/2 [13] Square Openings.\*

### SUFFIXES

_____ -DX	Dex-o-Tex Flange	_____ -6	Grate w/ 6 dia. x 6 [152 x 152] High Funnel
_____ -HP	Heel-Proof Grate	_____ -8	Grate w/ 8-7/8 x 3-5/8 x 3-3/4 [225 x 92 x 95] High Oval Funnel
_____ -K	Anchor Flange with Seepage Holes	_____ -15	Solid Cover
_____ -KC	Anchor Flange with Seepage Holes and Clamp Collar	_____ -19	Full-Hinged Grate
_____ -LD	Less Bottom Dome Strainer	_____ -23	Aluminum Bucket
_____ -P	1/2 [13] Trap Primer Connection (See Z1023)	_____ -25	White A.R.C. Bucket
_____ -SA	Stabilizer Assembly (See Z1903)	_____ -31	Stainless Steel Mesh Liner for Bucket
_____ -TC	Neo-Loc Test Cap Gasket (2, 3, 4 [51, 76, 102] NL Bottom Outlet Only)	_____ -32	Aluminum Dome Strainer
_____ -VPS	Vandal-Proof Strainer	_____ -33	White A.R.C. Anti-Splash Bottom Dome Strainer
_____ -2	1/2 Grate		
_____ -3	3/4 Grate		
_____ -4	Full-Grate W/ Center Opening 3-1/32 [77] Square		

\* Regularly furnished unless otherwise specified.

Zurn Industries, LLC | Specification Drainage Operation  
1801 Pittsburgh Avenue, Erie, PA U.S.A. 16502 · Ph. 855-663-9876, Fax 814-454-7929  
In Canada | Zurn Industries Limited  
3544 Nashua Drive, Mississauga, Ontario L4V 1L2 · Ph. 905-405-8272, Fax 905-405-1292  
[www.zurn.com](http://www.zurn.com)

Rev. D  
Date: 10/12/2017  
C.N. No. 138727  
Prod. | Dwg. No. Z1901-11