

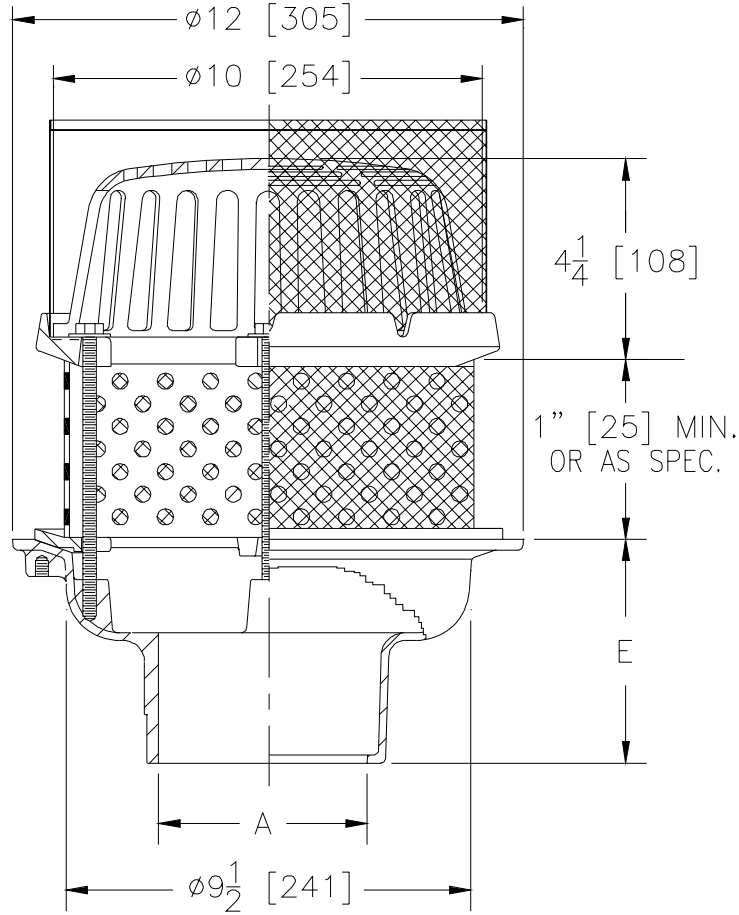


Z-348-76 DOME TYPE PLANTING AREA DRAIN

SPECIFICATION SHEET

TAG _____

Dimensional Data (inches and [mm]) are Subject to Manufacturing Tolerances and Change Without Notice



A-Pipe Size Inches	Approx. Wt. Lbs.	Dome Open Area Sq. In.
2-3-4-6 [50-75-100-152]	25 [11]	78 [503]

ENGINEERING SPECIFICATION: ZURN Z-348-76 Dome type planting area drain, Dura-Coated cast iron body with bottom outlet complete with combination membrane flashing clamp/gravel guard, perforated extension with mesh screen, low silhouette dome and stainless steel mesh screen over dome.

OPTIONS (Check/specify appropriate options)

OUTLET (Specify type)

- _____ **IC** Inside Caulk
- _____ **IG** Inside Caulk w/Sealtrol Gskt.
- _____ **IP** Threaded
- _____ **NH** No-Hub
- _____ **NL** Neo-Loc

PIPE SIZE (Specify size)

- _____ 2, 3, 4, 6 [50,75,100,152]
- _____ 2, 3, 4, 6 [50,75,100,152]
- _____ 2, 3, 4, 6 [50,75,100,152]
- _____ 2, 3, 4, 6 [50,75,100,152]
- _____ 2, 3, 4 [50,75,100]

**'E' BODY HT.
DIMENSION**

- 5-1/4 [133]
- 5-1/4 [133]
- 3-3/4 [95]
- 5-1/4 [133]
- 4-5/8 [117]

PREFIXES

- _____ **Z-** D.C.C.I. Body, Clamping Collar and Dome*
- _____ **ZB-** D.C.C.I. Body, Clamping Collar and Bronze Dome

SUFFIXES

- _____ **-G** Galvanized Cast Iron

REV. A	DATE: 9/14/92	C.N. NO. 68548
DWG. NO. P-13670 PRODUCT NO. Z-348-76		

*REGULARLY FURNISHED UNLESS OTHERWISE SPECIFIED