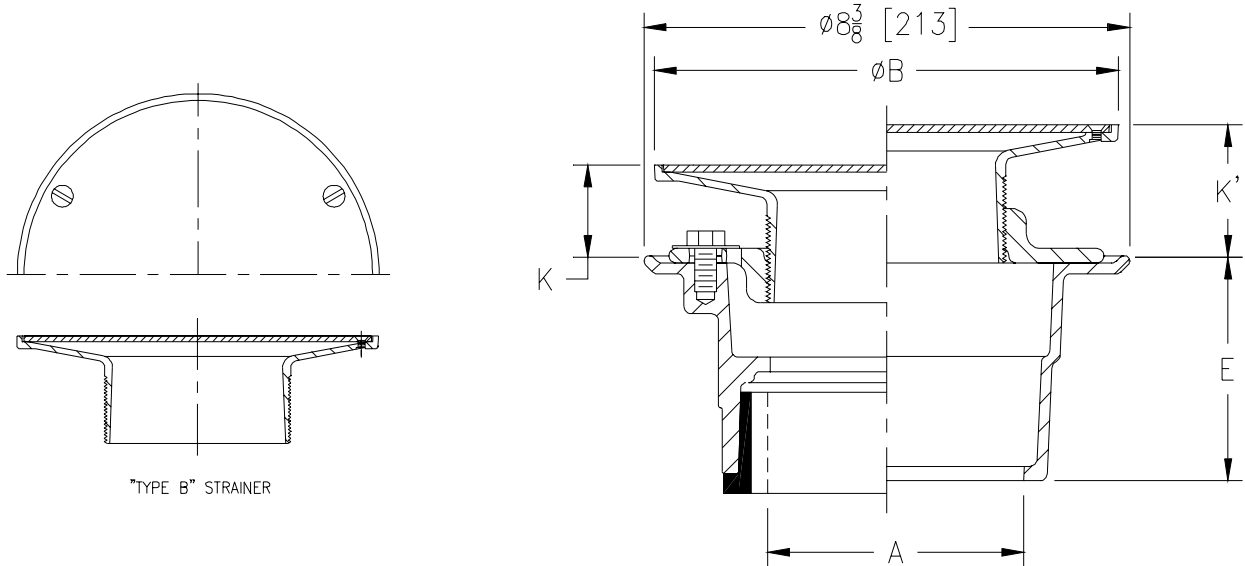




# Z-415-127

## BODY ASSEMBLY WITH "TYPE B" STRAINER

Dimensional Data (inches and [ mm ]) are Subject to Manufacturing Tolerances and Change Without Notice



Dimensions In Inches						Approx. Wt. Lbs. [kg]	Strainer Open Area Sq. In. [cm <sup>2</sup> ]
A - Pipe Size	B Strainer Dia.	K		K'			
		Min.	Max.	Min.	Max.		
2-3 [50-75]	5 [127]	1/2 [13]	1 5/8 [41]	1 3/8 [35]	2 3/8 [60]	11 [5]	8 [52]
2-3-4 [50-75-100]	6 [152]	3/4 [19]	1 3/4 [44]	1 5/8 [41]	2 3/4 [70]	13 [6]	9 [58]
2-3-4 [50-75-100]	7 [178]	1 [25]	2 1/4 [57]	2 [51]	3 1/8 [79]	14 [6]	12 [77]
3-4 [75-100]	8 [203]	1 1/8 [29]	2 1/4 [57]	2 [51]	3 1/8 [79]	16 [7]	18 [116]
6 [150]	8 [203]	1 1/8 [29]	2 1/4 [57]	2 [51]	3 1/8 [79]	18 [8]	18 [116]
6 [150]	10 [254]	1 5/8 [41]	2 5/8 [67]	2 5/8 [67]	3 1/2 [89]	22 [10]	26 [168]

**ENGINEERING SPECIFICATION:**  
ZURN ZN-415-127 Floor and shower drain, Dura-Coated cast iron body with bottom outlet, combination invertible membrane clamp and adjustable collar with "TYPE B" polished nickel bronze solid cover.

**OPTIONS** (Check/specify appropriate options)

**PIPE SIZE**

- 2 thru 4 [50 thru 100]
- 2 [50]
- 3 [75]
- 4 [100]
- 6 [150]
- 2 thru 4 [50 thru 100]
- 2 thru 4 [50 thru 100]

(Specify size/type) **OUTLET**

- \_\_\_\_\_ IC Inside Caulk
- \_\_\_\_\_ IP Threaded
- \_\_\_\_\_ IP Threaded
- \_\_\_\_\_ IP Threaded
- \_\_\_\_\_ IP Threaded
- \_\_\_\_\_ NH No-Hub
- \_\_\_\_\_ NL Neo-Loc

**'E' BODY HT. DIM.**

- 3 7/8 [98]
- 2 3/8 [60]
- 2 5/8 [67]
- 2 7/8 [73]
- 2 3/4 [70]
- 3 7/8 [98]
- 4 5/8 [117]

**PREFIXES**

- \_\_\_\_\_ ZB- D.C.C.I. Body Assembly w/Polished Bronze Top
- \_\_\_\_\_ ZN- D.C.C.I. Body Assembly w/Polished Nickel Bronze Top\*
- \_\_\_\_\_ ZS- D.C.C.I. Body Assembly w/6 [152] Dia. Stainless Steel Top

**SUFFIXES**

- \_\_\_\_\_ -AR Acid Resisting Epoxy Coated Cast Iron
- \_\_\_\_\_ -G Galvanized Cast Iron
- \_\_\_\_\_ -HD Heavy Duty Grate
- \_\_\_\_\_ -P Trap Primer Connection (Specify 1/2 [13] or 3/4 [19])
- \_\_\_\_\_ -U 3 [76] High Extension Adapter
- \_\_\_\_\_ -V Backwater Valve
- \_\_\_\_\_ VP Vandal Proof Secured Top
- \_\_\_\_\_ -Y Sediment Bucket
- \_\_\_\_\_ -90 90° Threaded Side Outlet Body (2 [50], 3 [75] Only)

\*REGULARLY FURNISHED UNLESS OTHERWISE SPECIFIED

<b>REV.</b>	<b>DATE: 10/10/96</b>	<b>C.N. NO. 76170</b>
<b>DWG. NO. P-14398 PRODUCT NO. Z-415-127</b>		