



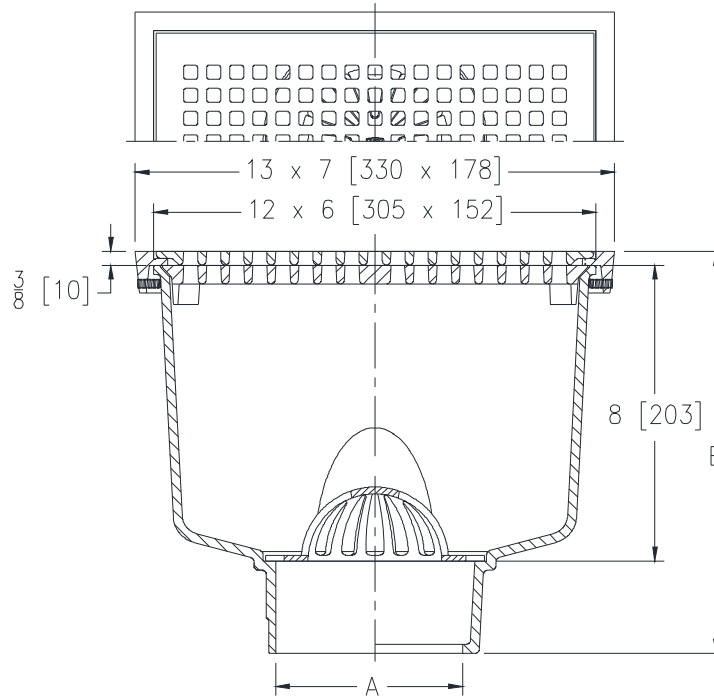
ZN1940

13 X 7 [330 X 178] A.R.C. SANI-FLOR RECEPTOR
8 [203] SUMP DEPTH W/ NICKEL BRONZE FRAME
AND GRATE

SPECIFICATION SHEET

TAG _____

Dimensional Data (inches and [mm]) are Subject to Manufacturing Tolerances and Change Without Notice



A Pipe Size In. [mm]	Approx Wt. Lbs. [kg]	Grate Open Area Sq. In. [cm ²]
2,3,4 [51,76,102]	28 [13]	17 [110]

ENGINEERING SPECIFICATION: ZURNZN1940

Sani-Flor Receptor 13" x 7" x 8" [330mm x 178mm x 203mm] deep cast iron body with white acid resisting epoxy coated interior and top, nickel bronze frame with full rectangular square hole light-duty grate, and white ABS anti-splash interior bottom dome strainer.

OPTIONS (Check/specify appropriate options)

PIPE SIZE

2,3,4 [51,76,102]
2,3,4 [51,76,102]
2,3,4 [51,76,102]

OUTLET (Specify size/type)

___ IC Inside Caulk
___ NH No-Hub
___ NL Neo-Loc

'E' BODY HT. DIMENSION

10-7/8 [276]
10-7/8 [276]
10-3/8 [264]

PREFIXES

___ ZN Cast Iron Body with White A.R.C. Interior, 13 x 7 [330 x 178] N.B. Frame and Full Grate with 3/8 [10] Square Openings*

SUFFIXES

___ -K	Anchor Flange with Seepage Holes	___ -6	Grate w/ 6 [152] Dia. x 6 [152] High Funnel
___ -KC	Anchor Flange with Seepage Holes and Clamp Collar	___ -8	Grate w/ 8-7/8 x 3-5/8 x 3-3/4 [225 x 92 x 95] High Oval Funnel
___ -LD	(Less) Bottom Dome Strainer	___ -11	Vandal-Proof Secured Grate
___ -P	1/2 [13] Trap Primer Connection	___ -15	Solid Loose Set Cover
___ -S	Secondary Strainer	___ -23	Aluminum Bucket
___ -TC	Neo-Loc Test Cap Gasket (2,3,4 [51,76,102] NL Bottom Outlet Only)	___ -25	White A.R.C. Bucket
___ -1	(Less) Grate	___ -31	Stainless Steel Mesh Liner for Bucket
___ -2	1/2 Grate	___ -32	Aluminum Dome Strainer
___ -3	3/4 Grate	___ -33	White A.R.C. Anti-Splash Bottom Dome Strainer
___ -4	Full Grate with Square Center Opening		

* Regularly furnished unless otherwise specified.

Zurn Industries, LLC | Specification Drainage Operation
1801 Pittsburgh Avenue, Erie, PA U.S.A. 16502 · Ph. 855-663-9876, Fax 814-454-7929
In Canada | Zurn Industries Limited
3544 Nashua Drive, Mississauga, Ontario L4V 1L2 · Ph. 905-405-8272, Fax 905-405-1292
www.zurn.com

Rev. B
Date: 10/13/17
C.N. No. 138841
Prod. | Dwg. No. ZN1940