



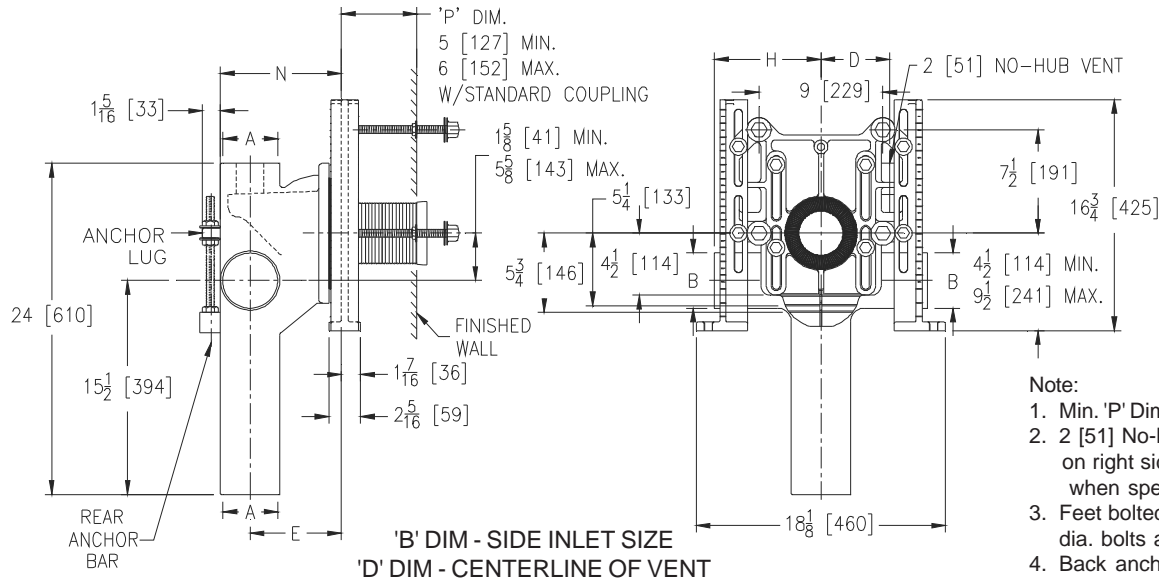
Z1204-2N-X

ADJUSTABLE VERTICAL SIPHON JET
500LB [227KG] NO-HUB CARRIER W/ 2 SIDE
INLETS AND HEAVY-DUTY REAR ANCHOR

SPECIFICATION SHEET

TAG _____

Dimensional Data (inches and [mm]) are Subject to Manufacturing Tolerances and Change Without Notice



Note:

1. Min. 'P' Dim. Obtainable=1-3/4 [44]
2. 2 [51] No-Hub Vent regularly furnished on right side. Left-hand available when specified (-VL).
3. Feet bolted to floor using min. 1/2 [13] dia. bolts and back slots on carrier feet.
4. Back anchor foot required for secure installation.

Product No.	Dimensions In Inches [mm]						Approx. Wt. Lbs.[kg]
	A	B	D	E	H	N	
Z1204-2N4-X	4 [102]	4 [102]	5 [127]	6-5/8 [168]	5-1/2 [140]	8-7/8 [225]	88 [40]
Z1204-2N43-X	4 [102]	3 [76]	5 [127]	6-5/8 [168]	5-1/2 [140]	8-7/8 [225]	88 [40]
Z1204-2N54-X	5 [127]	4 [102]	5-1/2 [140]	6-5/8 [168]	6 [152]	9-3/8 [238]	92 [42]
Z1204-2N55-X	5 [127]	5 [127]	5-1/2 [140]	6-5/8 [168]	6-1/2 [165]	9-3/8 [238]	92 [42]
Z1204-2N64-X	6 [152]	4 [102]	6 [152]	7-1/8 [181]	6-1/2 [165]	10-3/8 [264]	98 [44]
Z1204-2N65-X	6 [152]	5 [127]	6 [152]	7-1/8 [181]	7 [178]	10-3/8 [264]	98 [44]

ENGINEERING SPECIFICATION: ZURN Z1204-2N-X

Adjustable, vertical siphon jet 500lb [227kg] water closet "Rigid System" with () size No-Hub connections & 2 () side inlets. Complete with Dura-Coated cast iron fitting, with 2" [51mm] vent, adjustable gasketed face plate, universal floor mounted foot supports, corrosion resistant adjustable Polymer coupling with integral test cap, fixture bolts, trim, & stud protectors. Heavy-Duty rear anchor tie down, & bonded "Neo-Seal" gasket.

PRODUCT/DEFINITION

___ Z1204-2N-X No-Hub Stack, Single Inlet, (2) () Side Inlets, 2 [51] Right Hand Vent

PREFIXES

___ Z D.C.C.I. System with Zurn "ZZ" Adjustable Coupling*
 ___ ZQ D.C.C.I. System with NPT Face Plate, Non Adjustable Coupling

SUFFIXES

___ -B Blowout Type Fixture Support ___ -BC Back Cleanout ___ -CC Corrosion Resistant Cast Iron Coupling (6 [152] to 12 [305]) ___ -G Galvanized Cast Iron ___ -PF Pre-Fab Foot ___ -PS Pre-Fab Slotted Foot ___ -RYK Unistrut Pre-Fab Foot	___ -T Threaded Connection ___ -VL Left Hand Vent Connection ___ -VP Vandal-Proof Trim ___ -45 Finishing Frame for Siphon Jet System (For Blowout System Specify -45-B) ___ -50 Flush Valve Supply Support for W.C. ___ -61 "ZZ" Coupling Wrench
---	---

* Regularly furnished unless otherwise specified.