



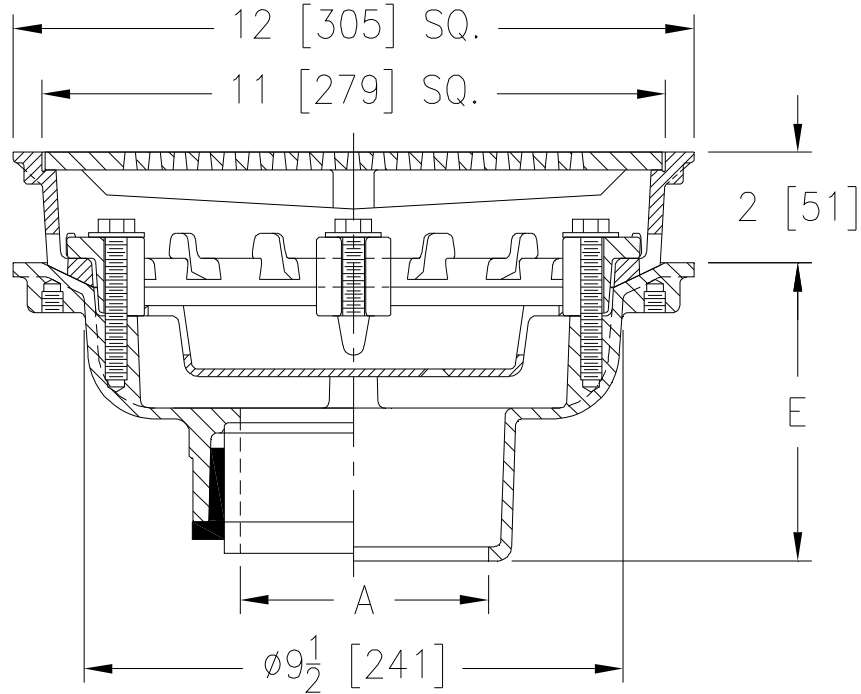
Z154-Y

12 [305] SQUARE TOP PROM-DECK DRAIN W/ HEEL
PROOF GRATE, SEDIMENT BUCKET AND ROTATABLE
FRAME

SPECIFICATION SHEET

TAG _____

Dimensional Data (inches and [mm]) are Subject to Manufacturing Tolerances and Change Without Notice



A Pipe Size In. [mm]	Approx. Wt. Lbs. [kg]	Grate Open Area Sq. In. [cm ²]
2, 3, 4, 6 [51, 76, 102, 152]	33 [15]	34 [219]

ENGINEERING SPECIFICATION: ZURNZ154-Y

12" [305mm] Square top Prom-Deck drain, Dura-Coated cast iron body with rotatable square promenade frame with seepage slots, frame clamps, light duty heel-proof grate and cast iron sediment bucket.

OPTIONS (Check/specify appropriate options)

PIPE SIZE

- 2, 3, 4, 6 [51, 76, 102, 152]
- 2, 3, 4, 6 [51, 76, 102, 152]
- 2, 3, 4, 6 [51, 76, 102, 152]
- 2, 3, 4 [51, 76, 102]

(Specify size/type) **OUTLET**

- ___ IC Inside Caulk
- ___ IP Threaded
- ___ NH No-Hub
- ___ NL Neo-Loc

'E' BODY HT. DIM.

- 5-1/4 [133]
- 3-3/4 [95]
- 5-1/4 [133]
- 4-9/16 [116]

PREFIXES

- ___ Z D.C.C.I. Body with Top*
- ___ ZB D.C.C.I. Body with Polished Bronze Top (Add 3/16 [5] to 2 [51] Dim. & 5/8 [16] to 12 [305] Dim.)
- ___ ZN D.C.C.I. Body with Polished Nickel Bronze Top (Add 3/16 [5] to 2 [51] Dim. & 5/8 [16] to 12 [305] Dim.)

SUFFIXES

- ___ -AR Acid Resistant Epoxy Coated
- ___ -C Underdeck Clamp
- ___ -DG Duresist Grate (Z Only)
- ___ -DP Top-Set® Roof Deck Plate
- ___ -DT Decorative Polished Top (ZB and ZN Only)
- ___ -E Static Extension
(1 [25] thru 4 [102] (Specify Height))
- ___ -EB Top-Set® Adjustable Extension Assembly
- ___ -G Galvanized Cast Iron
- ___ -S Secondary Strainer
- ___ -SC Secondary Clamp Collar
- ___ -TC Neo-Loc Test Cap Gasket
(2,3,4 [51,76,102] NL Bottom Outlet Only)
- ___ -TS Top Secured with Slotted Screws
- ___ -VP Vandal-Proof Secured Top
- ___ -85 Stainless Steel Perforated Extension
- ___ -90 90° Threaded Side Outlet Body
(2,3,4 [51,76,102])

* Regularly furnished unless otherwise specified.