



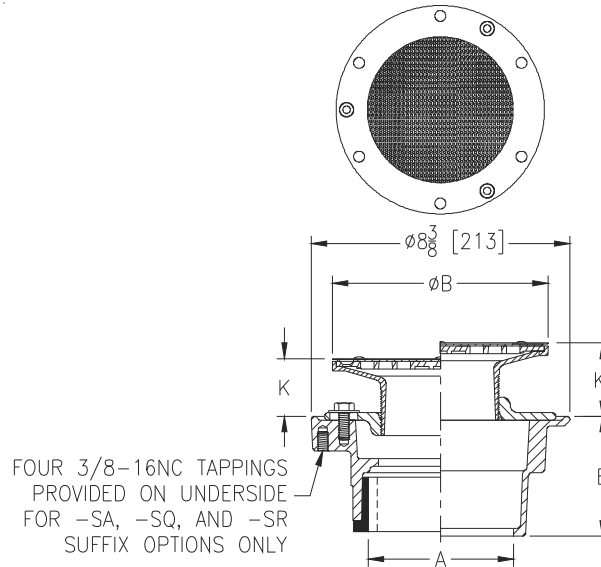
# Z415B-124

## BODY ASSEMBY W/ "TYPE B" STRAINER AND CLAW PROOF GRATE

SPECIFICATION SHEET

TAG \_\_\_\_\_

Dimensional Data (inches and [ mm ]) are Subject to Manufacturing Tolerances and Change Without Notice



Dimensions In Inches [mm]						Approx. Wt. Lbs. [kg]	Strainer Open Area Sq. In. [cm <sup>2</sup> ]
A Pipe Size	B Strainer	K		K'			
		Min.	Max.	Min.	Max.		
2,3 [51,76]	5 [127]	1-1/16 [27]	1-7/16 [37]	1-5/32 [29]	2-5/16 [59]	11 [5]	3.56 [23]
2,3,4 [51,76,102]	6 [152]	1 [25]	1-25/32 [45]	1-13/32 [36]	2-17/32 [64]	13 [6]	5.13 [33]
3,4 [76,102]	8 [203]	1-1/8 [29]	2-1/8 [54]	1-7/32 [31]	2-15/16 [75]	16 [7]	10.82 [70]
6 [152]	8 [203]	1-1/8 [29]	2-1/8 [54]	1-7/32 [31]	2-15/16 [75]	18 [8]	10.82 [70]

### ENGINEERING SPECIFICATION: ZURNZN415B-124

Floor and shower drain, Dura-Coated cast iron body with bottom outlet, combination invertible membrane clamp and adjustable collar with seepage slots and "TYPE B" polished nickel bronze, light-duty Type 304 stainless steel strainer with claw proof mesh.

### OPTIONS (Check/specify appropriate options)

#### PIPE SIZE

- 2, 3, 4 [51, 76, 102]
- 2 [51]
- 3 [76]
- 4 [102]
- 6 [152]
- 2, 3, 4 [51, 76, 102]
- 2, 3, 4 [51, 76, 102]

#### (Specify size/type) OUTLET

- \_\_\_\_\_ IC Inside Caulk
- \_\_\_\_\_ IP Threaded
- \_\_\_\_\_ IP Threaded
- \_\_\_\_\_ IP Threaded
- \_\_\_\_\_ IP Threaded
- \_\_\_\_\_ NH No-Hub
- \_\_\_\_\_ NL Neo-Loc

#### 'E' BODY HT. DIM.

- 4-13/16 [122]
- 2-7/16 [62]
- 2-3/4 [70]
- 2-13/16 [71]
- 2-7/8 [73]
- 3-13/16 [97]
- 3-7/8 [98]

### PREFIXES

- \_\_\_\_\_ ZB D.C.C.I. Body Assembly w/ Polished Bronze Top
- \_\_\_\_\_ ZN D.C.C.I. Body Assembly w/ Polished Nickel Bronze Top\*

### SUFFIXES

- \_\_\_\_\_ -AA All Acid Resisting Epoxy
- \_\_\_\_\_ -AR Acid Resisting Epoxy Coated Cast Iron
- \_\_\_\_\_ -C Clamp Collar for -90 Side Outlet Body
- \_\_\_\_\_ -EF 3/8 [16] Extension Frame
- \_\_\_\_\_ -G Galvanized Cast Iron
- \_\_\_\_\_ -OF Oval Funnel (Z329-7) (6,8 [152,203] Strainers Only)
- \_\_\_\_\_ -P Trap Primer Connection (Specify 1/2 [13] or 3/4 [19])
- \_\_\_\_\_ -SA Stabilizer Assembly (See Z1035)
- \_\_\_\_\_ -SQ Stabilizer Q-Deck (See Z1035-Q)
- \_\_\_\_\_ -SR Stabilizer Ring
- \_\_\_\_\_ -TC Neo-Loc Test Cap Gasket (2,3,4 [51,76,102] NL Outlet Only)
- \_\_\_\_\_ -U 1-3 [25-76] High Extension Adapter
- \_\_\_\_\_ -V Backwater Valve
- \_\_\_\_\_ -VP Vandal-Proof Secured Top
- \_\_\_\_\_ -Y Sediment Bucket
- \_\_\_\_\_ -18 Leveling Ring (See Z400-18)
- \_\_\_\_\_ -90 90° Threaded Side Outlet Body Assembly (2 [51], 3 [76] Only)

\* Regularly furnished unless otherwise specified.