



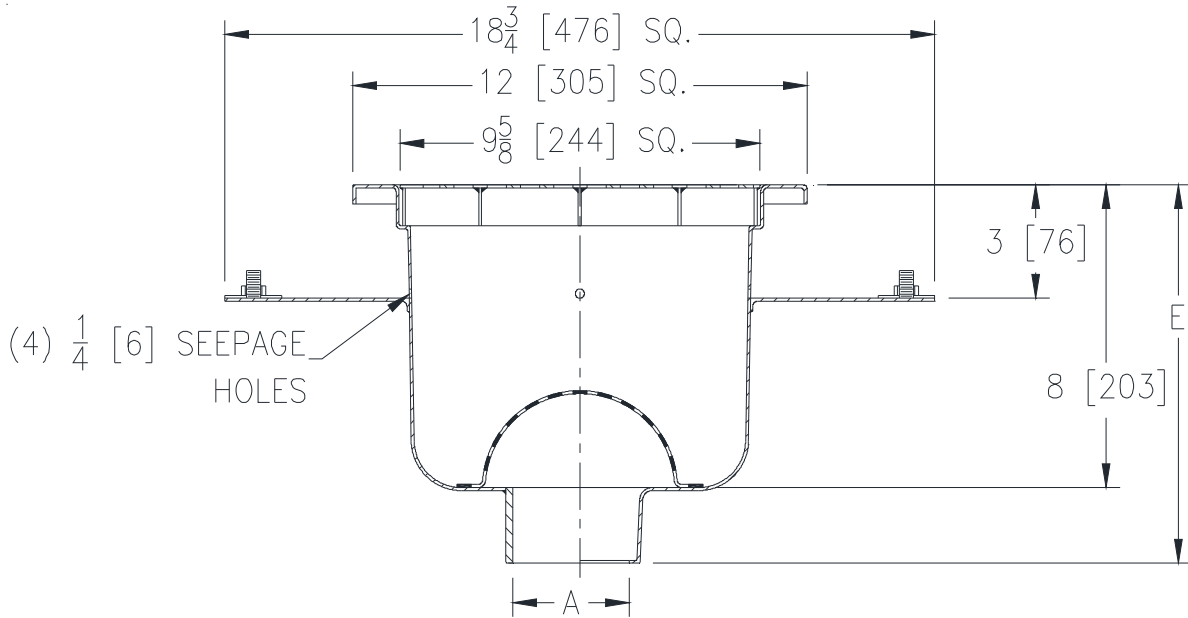
# Z1751-151

12 X 12 [305 X 305] SANI-FLOR RECEPTOR  
8 [203] SUMP DEPTH W/ CUSTOM ANCHOR FLANGE

SPECIFICATION SHEET

TAG \_\_\_\_\_

Dimensional Data (inches and [ mm ]) are Subject to Manufacturing Tolerances and Change Without Notice



A Pipe Size In. [mm]	Approx. Wt. Lbs. [kg]	Grate Open Area Sq. In. [cm <sup>2</sup> ]
2,3,4 [51,76,102]	19 [9]	23 [148]
6 [152]	21 [9]	23 [148]

### ENGINEERING SPECIFICATION: ZURN Z1751-151

12" x 12" x 8" [305mm x 305mm x 203mm] deep, 14 gage, All Type 304 (CF8) Stainless Steel light-duty Sani-Flor receptor with non-tilt, loose set full grate with 1/2" [13mm] square openings and anti-splash interior dome strainer and custom anchor flange with seepage holes and clamp collar.

### OPTIONS (Check/specify appropriate options)

#### PIPE SIZE

2,3,4 [51,76,102]  
2 [51]  
3 [76]  
4 [102]  
2,3,4,6 [51,76,102,152]  
2,3,4 [51,76,102]

#### (Specify size/type) OUTLET

\_\_\_ IC Inside Caulk  
\_\_\_ IP Threaded  
\_\_\_ IP Threaded  
\_\_\_ IP Threaded  
\_\_\_ NH No-Hub  
\_\_\_ NL Neo-Loc

#### 'E' BODY HT. DIM.

10-9/16 [268]  
9-5/16 [237]  
9-9/16 [243]  
10-1/16 [256]  
10-1/16 [256]  
9-13/16 [249]

#### PREFIXES

\_\_\_ Z Type 304 (CF8) Stainless Steel Body\*  
\_\_\_ ZM Type 316 (CF8M) Stainless Steel

#### SUFFIXES

___ -DX Dex-o-tex Flange	___ -4 Full Grate with 3 [76] Square Center Opening
___ -HD Extra-Heavy-Duty Grate	___ -5 Grate w/ 4 [102] Dia. x 3-3/4 [95] High 304 S.S. Funnel
___ -HP Heel-Proof Grate	___ -8 Grate w/ 9 [229] Dia. x 3-1/2 [90] High 304 S.S. Oval Funnel
___ -SG Solid Gasketed Cover	___ -15 Solid Cover
___ -TC Neo-Loc Test Cap Gasket (2,3,4 [51,76,102] NL Bottom Outlet Only)	___ -16 1/2 Solid Cover
___ -VP Vandal-Proof Secured Top	___ -17 3/4 Solid Cover
___ -Y Sediment Bucket	___ -18 Solid Cover w/ 3 [76] Square Center Opening
___ -YS Suspended Sediment Bucket	___ -19 Full Hinged Grate
___ -1 (Less) Grate	___ -20 Full Hinged Solid Cover
___ -2 1/2 Grate	
___ -3 3/4 Grate	

\* Regularly furnished unless otherwise specified.