



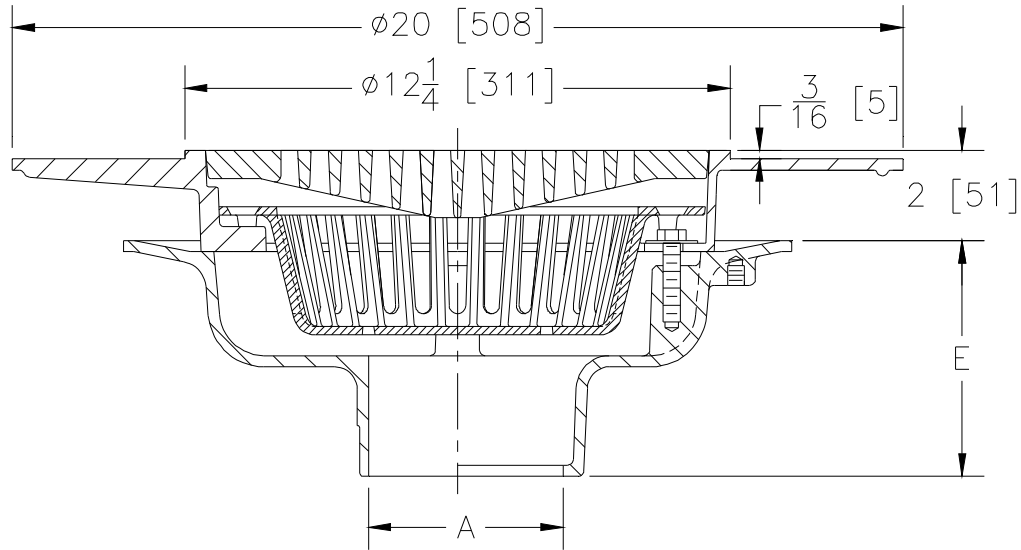
Z541-DX

12-1/4 [311] DIAMETER WIDE FLANGE
FLOOR DRAIN WITH DEX-O-TEX FLANGE

SPECIFICATION SHEET

TAG _____

Dimensional Data (inches and [mm]) are Subject to Manufacturing Tolerances and Change Without Notice



A- Pipe Size In. [mm]	Approx. Wt. Lbs. [kg]	Grate Open Area Sq. In. [cm ²]
2,3,4,6 [51,76,102,152]	54 [24]	30 [194]
8 [203]	56 [25]	

ENGINEERING SPECIFICATION: ZURN Z541-DX

12-1/4" [311 mm] Diameter wide flange floor drain, Dura-Coated cast iron body with bottom outlet, seepage pan and combination membrane flashing clamp and frame with dex-o-tex flange for heavy duty slotted grate and suspended polypropylene sediment bucket.

OPTIONS (Check/specify appropriate options)

PIPE SIZE	(Specify size/type)	OUTLET	'E' BODY HT. DIM.
3,4,6 [76,102,152]	___	IC Inside Caulk	5-1/4 [133]
3,4,6 [76,102,152]	___	IG Inside Gasket	5-1/4 [133]
2,3,4,6,8 [51,76,102,152,203]	___	IP Threaded	5-3/4 [95]
2,3,4,6,8 [51,76,102,152, 203]	___	NH No-Hub	5-1/4 [133]
2,3,4 [51,76,102]	___	NL Neo-Loc	4-1/2 [114]

PREFIXES

- ___ Z D.C.C.I. Body and Grate*
- ___ ZB D.C.C.I. Body with Polished Bronze Grate (Add 3/16 [5] to 3/16 [5] and 2 [51] Dim's.)
- ___ ZN D.C.C.I. Body with Polished Nickel Bronze Grate (Add 3/16 [5] to 3/16 [5] and 2 [51] Dim's.)

SUFFIXES

- | | |
|---|---|
| ___ -AR Acid Resisting Epoxy Coated Cast Iron | ___ -SS Stainless Steel Mesh Liner For Bucket |
| ___ -DG Duresist Grate | ___ -TC Neo-Loc Test Cap Gasket |
| ___ -G Galvanized Cast Iron | (2,3,4 [51,76,102] NL Bottom Outlet Only) |
| ___ -H Hinged Grate | ___ -TG Tractor Grate |
| ___ -HP Heel-Proof Grate | ___ -TS Top Secured with Slotted Screws |
| ___ -LY (Less) Sediment Bucket | ___ -V Backwater Valve-See Z1099 |
| ___ -P Trap Primer Connection | ___ -VP Vandal Proof Secured Top |
| ___ -S Secondary Strainer | ___ -WS Wide Slotted Grate (50 sq. in [323 sq. cm Open Area]) |
| ___ -SA Stabilizer Assembly (See Z1036) | ___ -YC Cast Iron Sediment Bucket |
| | ___ -90 90° Threaded Side Outlet Body Assembly |

* Regularly furnished unless otherwise specified.