



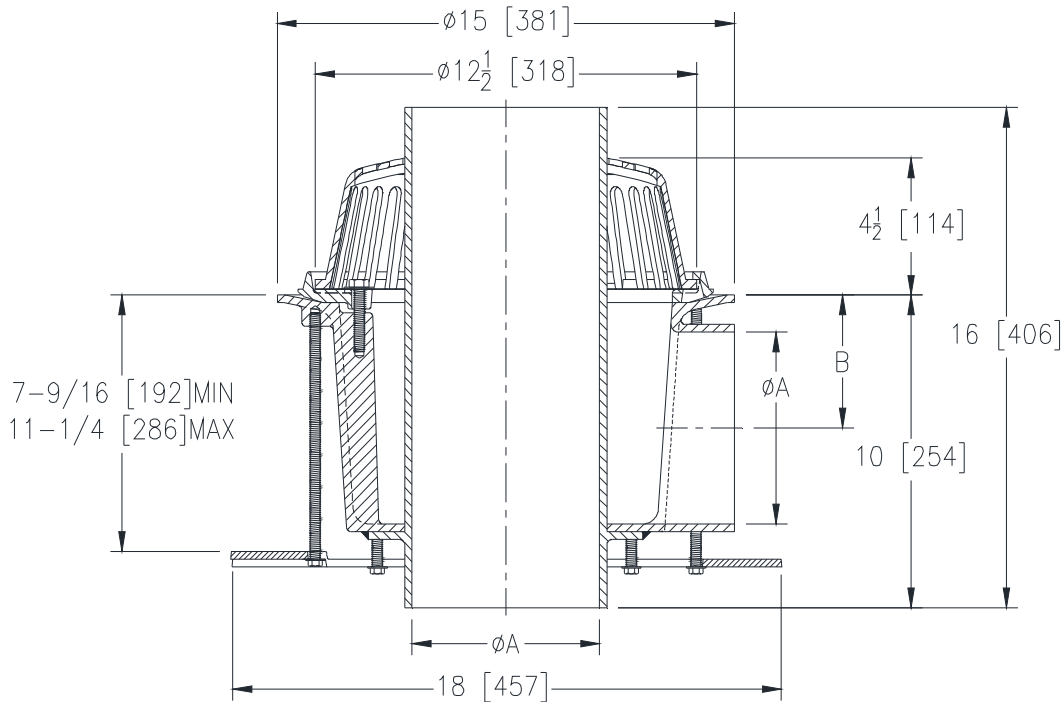
Z103-C

15 [381] DIAMETER DEEP SUMP DUAL OUTLET ROOF DRAIN W/ UNDERDECK CLAMP

SPECIFICATION SHEET

TAG _____

Dimensional Data (inches and [mm]) are Subject to Manufacturing Tolerances and Change Without Notice



A Pipe Size In. [mm]	B In. [mm]	Approx. Wt. Lbs. [kg]	Dome Open Area Sq. In. [cm ²]
3 [76]	5-9/16 [141]	60 [27]	103 [665]
4 [102]	5-1/16 [129]		
6 [152]	4 [102]		

ENGINEERING SPECIFICATION: ZURN Z103-C

15" [381mm] Diameter dual outlet roof drain with 90° primary outlet connection. Dura-Coated cast iron deep sump body with combination membrane flashing clamp/gravel guard, overflow pipe (3", 4", 6" [76mm, 102mm, 152mm]), underdeck clamp, and low silhouette cast iron dome.

OPTIONS (Check/specify appropriate options)

PIPE SIZE

3, 4, 6 [76, 102, 152]

(Specify size) **OUTLET**

_____ NH No-Hub

PREFIXES

_____ Z D.C.C.I. Body w/ Cast Iron Dome*

SUFFIXES

- _____ -AR Acid Resistant Epoxy Coated Finish
- _____ -DU Cast Iron Dome on Overflow Pipe
- _____ -E Static Extension 1 [25] thru 4 [102] (Specify Ht)
- _____ -G Galvanized Cast Iron
- _____ -MS Perforated Screen on Overflow Pipe
- _____ -SS Stainless Mesh Screen over Dome

- _____ -VP Vandal-Proof Secured Top
- _____ -2OF 2 [51] High Overflow Pipe
- _____ -45 45° Primary Outlet Connection (3, 4 [76, 102] Pipe only)
- _____ -84 Stainless Steel perforated Gravel Guard

* Regularly furnished unless otherwise specified.