



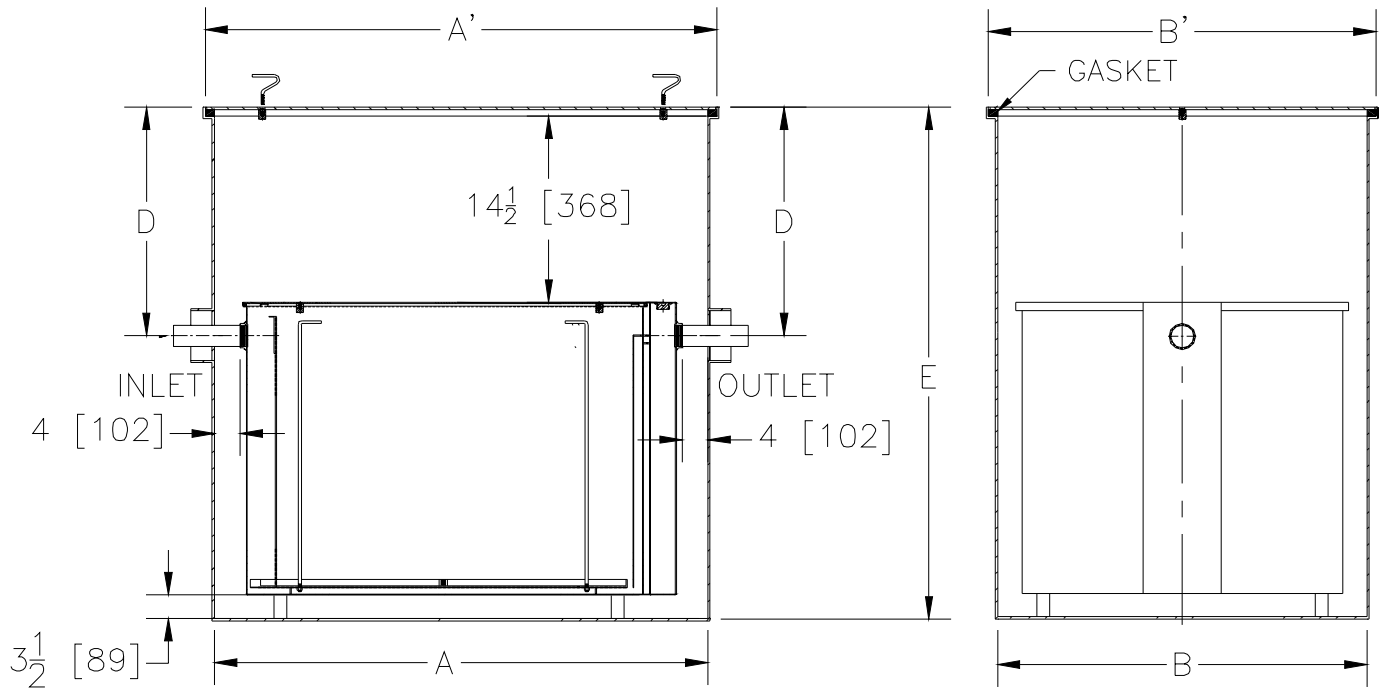
Z1172-128

LARGE CAPACITY GREASE INTERCEPTOR W/SECONDARY CONTAINMENT RECEIVER

SPECIFICATION SHEET

TAG _____

Dimensional Data (inches and [mm]) are Subject to Manufacturing Tolerances and Change Without Notice



Size	Inlet/ Outlet Size**	Flow Rate G.P.M. [L]	Capacity		No. of Covers	Dimensions in Inches					
			Water Gal. [L]	Grease Lbs. [kg]		A	A'	B	B'	D	E
900	3 [75]	75 [284]	65 [246]	150 [68]	1	44 1/4 [1124]	46 1/4 [1175]	33 1/8 [841]	35 1/8 [892]	23 1/2 [597]	45 1/2 [1156]

ENGINEERING SPECIFICATION: ZURN Z1172-128 Acid resistant coated secondary containment receiver. Equipped with gasketed non-skid secured cover with lift handles and handle port plugs. Complete with Z1172 grease interceptor. (for interceptor specifications see Z1172 specification sheet).

OPTIONS (Check/specify appropriate options)

PREFIXES

___ Z Acid Resistant Coated Fabricated Steel*

SUFFIXES

- ___ -HD Heavy duty traffic cover rated at 10,000 lbs. maximum safe live load.
- ___ -K Anchor flange 1 3/4 [44] down from top and 2 [51] wide.
- ___ -KC Anchor flange 1 3/4 [44] down from top and 2 [51] wide with clamp collar.
- ___ -L Angle type (Z-1108-L) flow control device.

REV.	DATE: 4/19/05	C.N. NO. 93248
DWG. NO. P-15140 PRODUCT NO. Z1172-128		

*REGULARLY FURNISHED UNLESS OTHERWISE SPECIFIED