



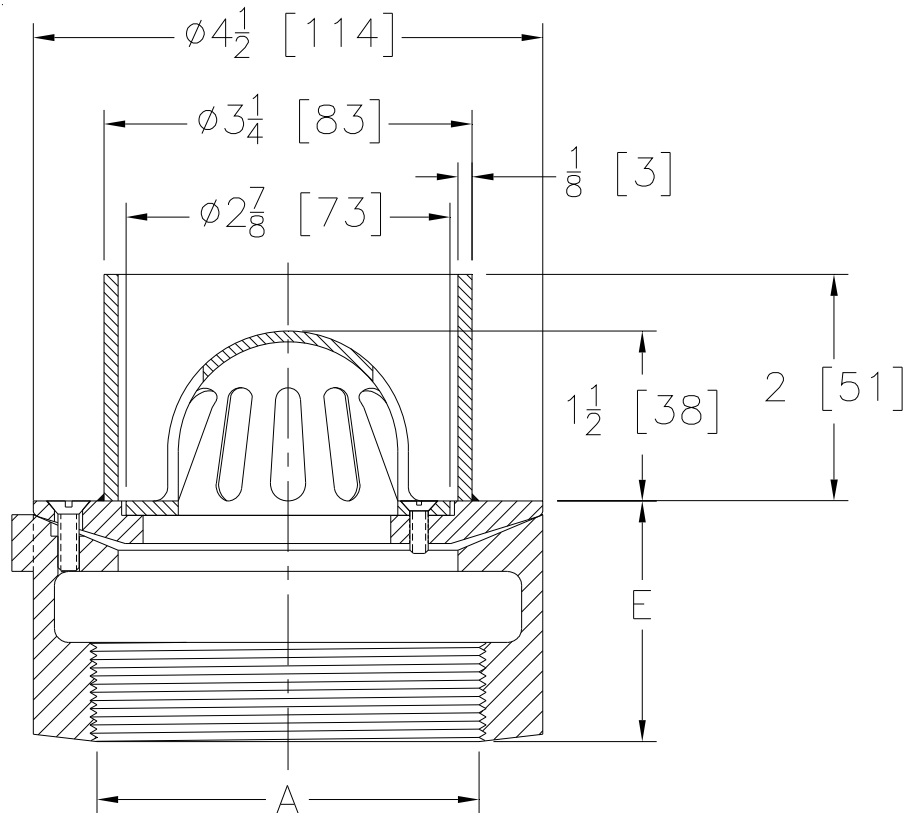
# Z180-82

## 4 [102] DIAMETER CORNICE DRAIN W/ 2 [51] HIGH DAM & BOTTOM OUTLET

SPECIFICATION SHEET

TAG \_\_\_\_\_

Dimensional Data (inches and [mm]) are Subject to Manufacturing Tolerances and Changes Without Notice



A- Pipe Size In.	Approx. Wt. Lbs. [kg]	Dome Open Area Sq. In. [cm <sup>2</sup> ]
2-3 [51-76]	5 [2]	4.5 [29]

**ENGINEERING SPECIFICATION:** ZURNZRB180-82  
4 1/2 [114] Diameter Cornice drain, Dura-Coated cast iron body, plain bronze 1 1/2 [38] high dome and membrane flashing clamp w/ 2 [51] high dam.

**OPTIONS** (Check/specify appropriate options)

**PIPE SIZE**

2, 3 [51, 76]  
2, 3 [51, 76]

(Specify size/type) **OUTLET**

\_\_\_ IP Threaded  
\_\_\_ NH No-Hub (IP w/Z1040)

**'E' BODY HT. DIM.**

2 [51]

**PREFIXES**

\_\_\_ ZRB D.C.C.I. Body with Plain Bronze Dome\*  
\_\_\_ ZB D.C.C.I. Body with Polished Bronze Dome  
\_\_\_ ZN D.C.C.I. Body with Polished Nickel Bronze Dome

**SUFFIXES**

\_\_\_ -FS Flat Strainer  
\_\_\_ -G Galvanized Cast Iron  
\_\_\_ -HD 3 [76] High Dome  
\_\_\_ -VP Vandal Proof Secured Top  
\_\_\_ -4 4 [102] High Body  
\_\_\_ -8 8 [203] High Body

REV.	DATE: 02/09/09	C.N. NO. 99613
DWG. NO. P-15651	PRODUCT NO. Z180-82	

\*REGULARLY FURNISHED UNLESS OTHERWISE SPECIFIED

ZURN INDUSTRIES, LLC. ♦ SPECIFICATION DRAINAGE OPERATION ♦ 1801 Pittsburgh Ave. ♦ Erie, PA 16514

Phone: 814/455-0921 ♦ Fax: 814/454-7929 ♦ World Wide Web: www.zurn.com

In Canada: ZURN INDUSTRIES LIMITED ♦ 3544 Nashua Drive ♦ Mississauga, Ontario L4V1L2 ♦ Phone: 905/405-8272 Fax: 905/405-1292