



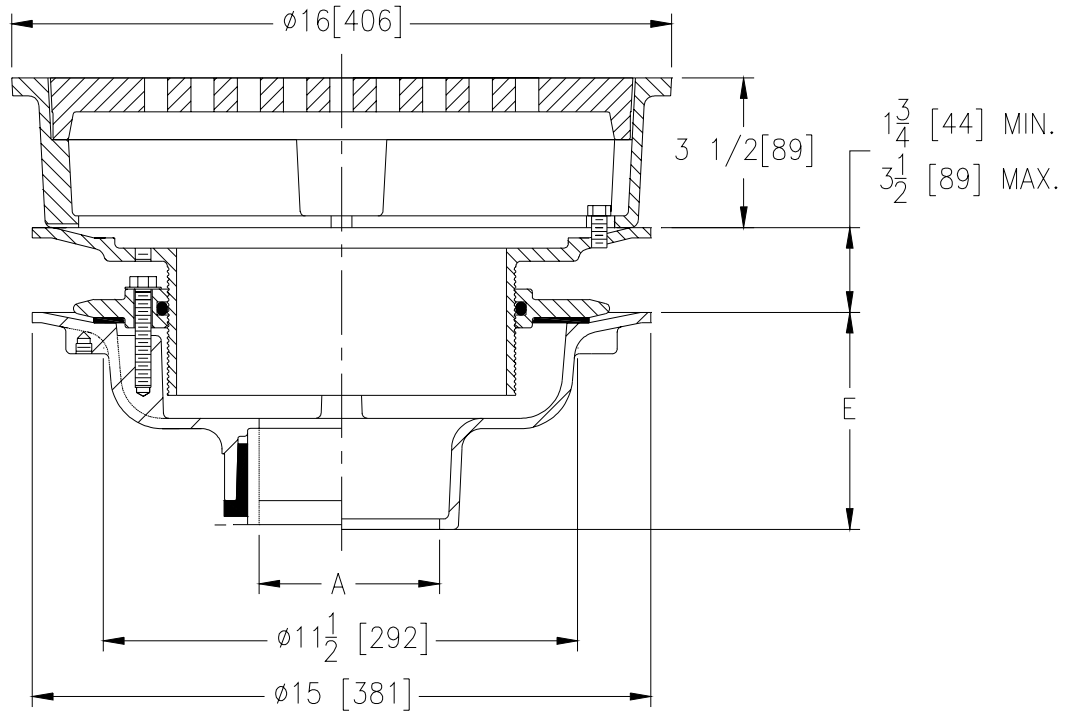
Z-545-77

16 [406] DIAMETER HEAVY DUTY DRAIN

SPECIFICATION SHEET

TAG _____

Dimensional Data (inches and [mm]) are Subject to Manufacturing Tolerances and Change Without Notice



A- Pipe Size In.	Approx. Wt. Lbs. [kg]	Grate Open Area Sq. In. [cm ²]
2-3-4 [50-75-100]	69 [31]	45 [290]
5-6 [125-150]	69 [31]	
8 [200]	71 [32]	
10 [250]	70 [32]	

ENGINEERING SPECIFICATION: ZURN Z-545-77 16 [406] Diameter top drain, Dura-Coated cast iron body with bottom outlet, adjustable extension assembly, seepage pan and combination membrane flashing clamp and frame for heavy duty cast iron slotted grate.

OPTIONS (Check/specify appropriate options)

PIPE SIZE

(Specify size/type) **OUTLET**

'E' BODY HT. DIM.

2 thru 6, 8, 10 [50 thru 150, 200, 250]	_____ IC	Inside Caulk	5 1/4 [133]
2 thru 6 [50 thru 150]	_____ IG	Inside Caulk w/Sealtrol Gskt.	5 1/4 [133]
2 thru 6, 8, 10 [50 thru 150, 200, 250]	_____ IP	Threaded	3 3/4 [95]
2 thru 6, 8, 10 [50 thru 150, 200, 250]	_____ NH	No-Hub	5 1/4 [133]
2 thru 4 [50 thru 100]	_____ NL	Neo-Loc	4 5/8 [117]

PREFIXES

- _____ Z- D.C.C.I. Body and Top*
- _____ ZB- D.C.C.I. Body with Polished Bronze Top (Add 3/16 [5] to 3 1/2 [89] Dim.)
- _____ ZN- D.C.C.I. Body with Polished Nickel Bronze Top (Add 3/16 [5] to 3 1/2 [89] Dim.)

SUFFIXES

- _____ -DG Duresist Grate
- _____ -G Galvanized Cast Iron
- _____ -TS Top Secured with Slotted Screws
- _____ -VP Vandal Proof Secured Top
- _____ -90 90° Threaded Side Outlet

*REGULARLY FURNISHED UNLESS OTHERWISE SPECIFIED

REV.	DATE: 11/13/01	C.N. NO. 88167
DWG. NO. P-14854 PRODUCT NO. Z-545-77		