

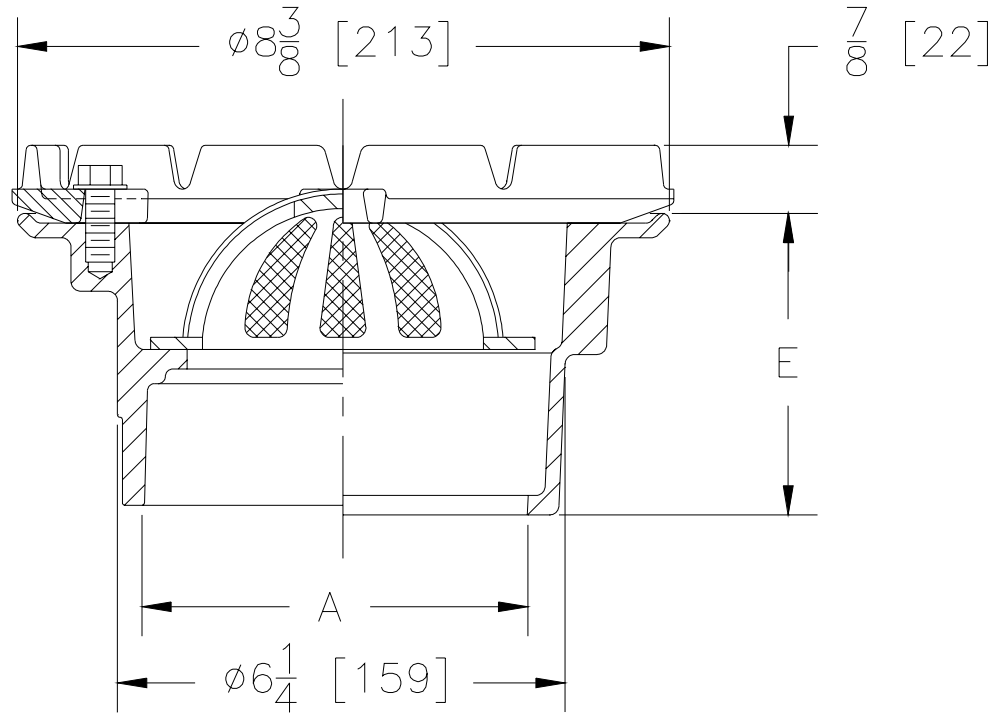


Z-127-76
8 3/8" [213] DIAMETER DECK
RECEPTOR DRAIN

SPECIFICATION SHEET

TAG _____

Dimensional Data (inches and [mm]) are Subject to Manufacturing Tolerances and Change Without Notice



A- Pipe Size In.	Approx. Wt. Lbs. [kg]
2-3-4 [50-75-100]	19 [9]

ENGINEERING SPECIFICATION: ZURN Z-127-76 8 3/8 [213] Diameter deck receptor drain, Dura-Coated cast iron body with combination membrane flashing clamp/gravel guard and internal dome strainer with mesh screen.

OPTIONS (Check/specify appropriate options)

PIPE SIZE

- 2, 3, 4 [50, 75, 100]
- 2, 3, 4 [50, 75, 100]
- 2, 3, 4 [50, 75, 100]
- 2, 3, 4 [50, 75, 100]

(Specify size/type) **OUTLET**

- ___ IC Inside Caulk
- ___ IP Threaded
- ___ NH No-Hub
- ___ NL Neo-Loc

E BODY HT. DIM.

- 3 7/8 [98]
- 2 5/8 [67]
- 3 7/8 [98]
- 4 5/8 [117]

PREFIXES

- ___ Z- D.C.C.I. Body with Collar*

SUFFIXES

- ___ -C Underdeck Clamp
- ___ -E Static Extension 1 [25] thru 4 [102] (Specify Ht.)
- ___ -G Galvanized Cast Iron
- ___ -HD High Dome
- ___ -R Roof Sump Receiver
- ___ -90 90° Threaded Side Outlet Body

REV.	DATE: 12/11/98	C.N. NO. 81916
DWG. NO. P-14686 PRODUCT NO. Z-127-76		

*REGULARLY FURNISHED UNLESS OTHERWISE SPECIFIED