



ZN1201-ND4-F

NARROW WALL BACK-TO-BACK WITH 13-9/32 [337] FRONT TO BACK
EZCARRY® ADJUSTABLE HORIZONTAL HIGH PERFORMANCE
SIPHON JET NO-HUB WATER CLOSET CARRIER SYSTEM FOR
FLOOR MOUNTED BACK OUTLET FIXTURE

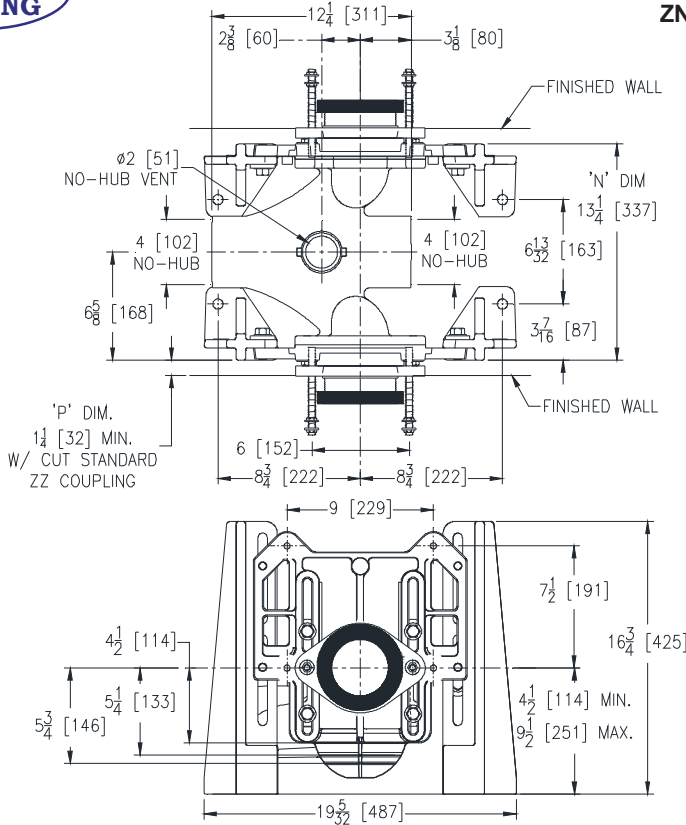
SPECIFICATION SHEET

TAG _____



Dimensional Data (inches and [mm]) are Subject to Manufacturing Tolerances and Change Without Notice

ZN1201-ND4-F Illustrated



Product Number	Approx. Wt. Lbs [kg]
ZN1201-ND4-F	140 [64]

Note:

1. Cut ZZ Coupling, Min. 'P' Dim. Obtainable = 1-1/4 [32]
2. Carrier floor anchors must each be able to withstand a pull-out force of 1741 lbs [790 kg].
3. Pull-out forces are calculated values with standard coupling assembly. No safety factor has been applied. See Form #C38 for more information.

ENGINEERING SPECIFICATION: ZURN ZN1201-ND4-F

EZCarry® Narrow Wall horizontal siphon jet water closet carrier system, with high performance Dura-Coated cast iron main fitting with hydro-mechanically optimized sweep, 4" [102 mm] no-hub connections, and extended 2" [51 mm] vent. Corrosion resistant, adjustable 3" [76 mm] diameter x 6" [152 mm] couplings with integral test caps, designed to increase flow velocity and line carry, and labor saving "Neo-Seal" bonded gaskets optimize flow performance while reducing installation steps. Complete system includes adjustable, gasketed faceplates; floor mounted foot supports; and floor mounted back outlet fixture support.

OPTIONS (Check/specify appropriate options)

ZN1201-ND4-F 4 [102] No-Hub Back-to-Back Inlet (Double)

PREFIXES

Z D.C.C.I. System with Zurn ZZ Adjustable Coupling*

SUFFIXES

- CC Corrosion Resistant Cast Iron Coupling (2-1/4 to 12 [57 to 305])
- CS 2-1/4 [57] Polymer Coupling with Integral Test Cap
- G Galvanized Cast Iron
- JC 2 [51] Auxiliary Inlet with 1/8 [3] Blend
- VP Vandal-Proof Trim
- 50 Flush Valve Supply Support for Water Closets

* Regularly furnished unless otherwise specified.