

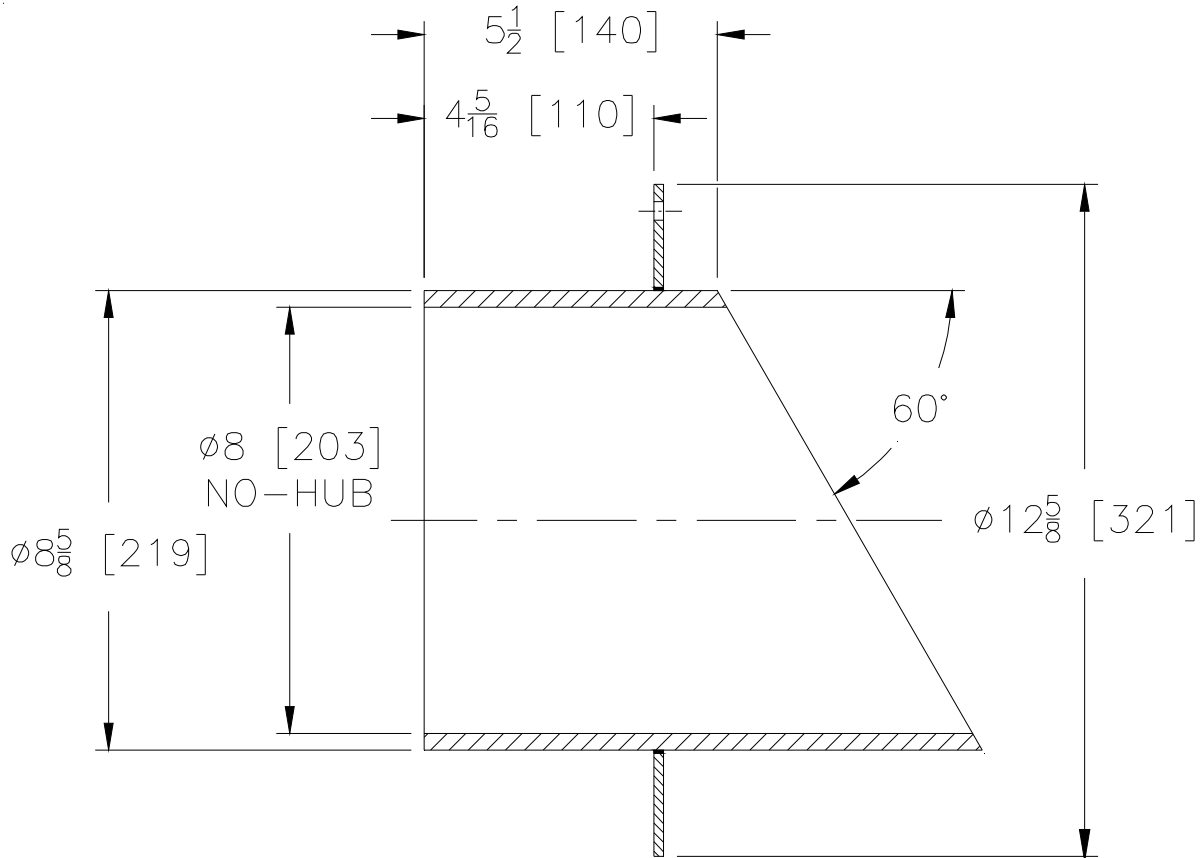


Z199-99
8 [203] FABRICATED DOWNSPOUT NOZZLE

SPECIFICATION SHEET

TAG _____

Dimensional Data (inches and [mm]) are Subject to Manufacturing Tolerances and Change Without Notice



Engineering Specification: ZURN Z199-99
 8 [203] Fabricated Downspout Nozzle with Anchor Flange.

Prefixes

- ___ Z Acid Resistant Coated Fabricated Steel Body and Wall Flange.
- ___ ZS Stainless Steel Fabricated Body and Wall Flange.

* Regularly furnished unless otherwise specified.