



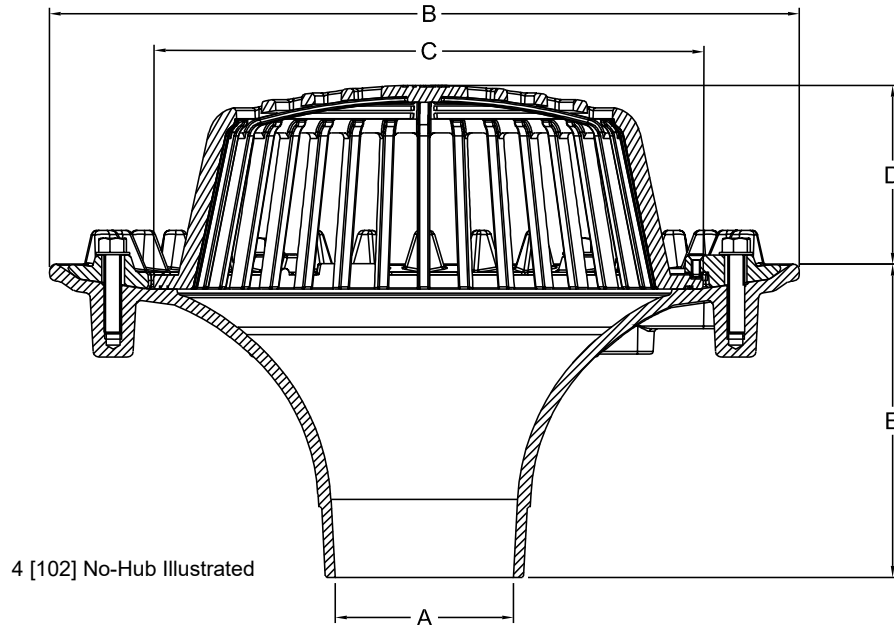
# ZC100F FLOFORCE™ HIGH PERFORMANCE ROOF DRAIN

DESIGNED TO DRIVE EFFICIENT FLOW PERFORMANCE

SPECIFICATION SHEET  
TAG \_\_\_\_\_

Design and Dimensional Data (inches and [ mm ]) are Subject to Manufacturing Tolerances and Change Without Notice

PATENT PENDING



4 [102] No-Hub Illustrated

A Outlet Size In. [mm]	B Body Diameter In [mm]	C Dome Diameter In [mm]	D Height, Roof to Dome Top In [mm]	Weight lbs [kg]	Dome Open Area Sq. In. [cm2]
2,3,4 [51,76,102]	16-9/16 [421]	12-5/16 [313]	4 [102]	38 [17]	102 [658]
6,8 [152, 203]	20-3/32 [510]	15-7/8 [403]	6 [152]	54 [24]	193 [1245]

### ENGINEERING SPECIFICATION: ZURN ZC100F

FLOFORCE™ High efficient flow performing roof drain engineered to evacuate water off of roof structure by incorporating a smooth funnel-shaped interior surface, providing a seamless transition to outlet connection, and eliminating internal obstructions. Complete with Dura-Coated cast iron body with combination membrane flashing clamp/gravel guard and low silhouette cast iron dome. Flashing clamp/gravel guard provided to prevent debris from entering the drain while allowing water to immediately pass through at zero head level. Cast iron dome designed to maximize effective open area and promote efficient flow. (Refer to Z100F specification sheet for flow curves.)

### OPTIONS (Check/specify appropriate options)

#### PIPE SIZE

- 2, 3, 4 [51, 76, 102]
- 6, 8 [152, 203]
- 2, 3, 4 [51, 76, 102]
- 6 [152]
- 2, 3, 4 [51, 76, 102]
- 6, 8 [152, 203]
- 3, 4 [76, 102]
- 6 [152]

#### (Specify size/type) OUTLET

- \_\_\_\_\_ NH No-Hub
- \_\_\_\_\_ NH No-Hub
- \_\_\_\_\_ NL Neo-Loc
- \_\_\_\_\_ NL Neo-Loc
- \_\_\_\_\_ IP Threaded
- \_\_\_\_\_ IP Threaded
- \_\_\_\_\_ IC Inside Caulk
- \_\_\_\_\_ IC Inside Caulk

#### E BODY HT. DIM.

- 6-15/16 [176]
- 7-7/16 [189]
- 7-3/8 [187]
- 8-1/32 [204]
- 5-15/16, 6-3/16, 6-5/16 [151, 157, 160]
- 6-11/16, 6-3/4 [170, 171]
- 5-13/16 [148]
- 6-1/16 [154]

\_\_\_\_\_ ZC D.C.C.I. Body with Cast Iron Dome

### SUFFIXES

- |   |   |
|---|---|
| _____ -AR Acid Resistant Epoxy Coated                       | _____ -SC Secondary Clamp Collar                  |
| _____ -C Underdeck Clamp                                    | _____ -TC Neo-Loc Test Cap Gasket                 |
| _____ -DP Top-Set® Deck Plate (Replaces both the -C and -R) | (2, 3, 4 [51, 76, 102] NL Bottom Outlet Only)     |
| _____ -DR Top-Set® Drain Riser                              | _____ -VP Vandal-Proof Secured Top                |
| _____ -E Static Extension 1 [25] thru 4 [102] (Specify Ht.) | _____ -84 Stainless Steel Perforated Gravel Guard |
| _____ -EA Adjustable Extension Assembly                     | _____ -85 Stainless Steel Perforated Extension    |
| 2-1/8 [54] thru 3-1/2 [89]                                  | _____ -89 2 [51] High Overflow Dam                |
| _____ -G Galvanized Cast Iron                               | _____ -89-3 3 [76] High Overflow Dam              |
| _____ -R Roof Sump Receiver                                 | _____ -89-4 4 [102] High Overflow Dam             |

\* Regularly furnished unless otherwise specified

**⚠ WARNING: Cancer and Reproductive Harm - [www.P65Warnings.ca.gov](http://www.P65Warnings.ca.gov)**

**⚠ ADVERTENCIA: Cáncer y daño reproductivo - [www.P65Warnings.ca.gov](http://www.P65Warnings.ca.gov)**

**⚠ AVERTISSEMENT: Cancer et effets néfastes sur la reproduction - [www.P65Warnings.ca.gov](http://www.P65Warnings.ca.gov)**

Zurn Industries, LLC | Specification Drainage Operation  
1801 Pittsburgh Avenue, Erie, PA 16502, Ph. 855.663.9876

In Canada | Zurn Industries Limited  
7900 Goreway Drive, Unit 10, Brampton, Ontario L6T 5W6, Ph. 877.892.5216

[www.zurn.com](http://www.zurn.com)

Rev. C  
Date: 05/06/2022  
C.N. No. 144476  
Prod. | Dwg. No. ZC100F FLOFORCE™