



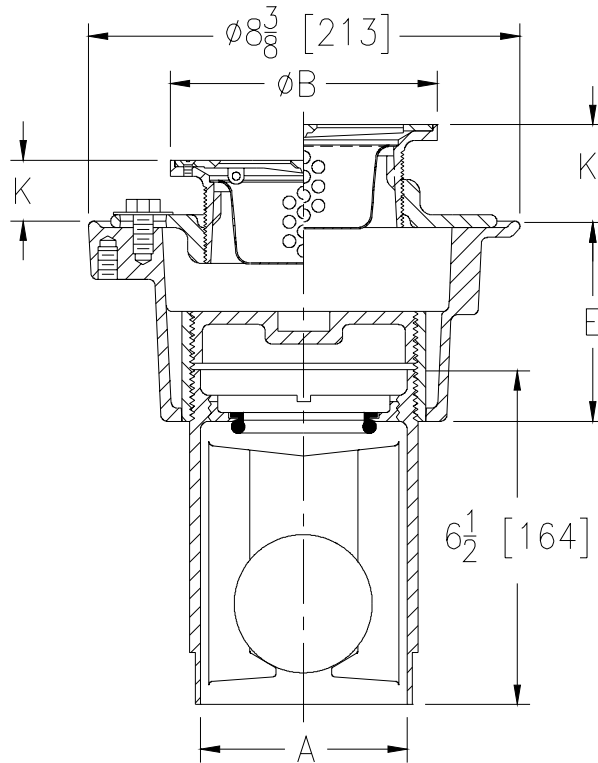
Z415C-75

BODY ASSEMBLY W/ "TYPE C" STRAINER & BACKWATER VALVE

SPECIFICATION SHEET

TAG _____

Dimensional Data (inches and [mm]) are Subject to Manufacturing Tolerances and Change Without Notice



Dimensions In Inches						Approx. Wt. Lbs. [kg]	Strainer Open Area Sq. In. [cm ²]
A - Pipe Size	B Strainer Dia.	K		K'			
		Min.	Max.	Min.	Max.		
2-3 [51-76]	5 [127]	1/2 [13]	1 5/8 [41]	1 3/8 [35]	2 3/8 [60]	11 [5]	8 [52]
2-3-4 [51-76-102]	6 [152]	3/4 [19]	1 3/4 [44]	1 5/8 [41]	2 3/4 [70]	13 [6]	9 [58]
2-3-4 [51-76-102]	7 [178]	1 [25]	2 1/4 [57]	2 [51]	3 1/8 [79]	14 [6]	13 [84]
3-4 [76-102]	8 [203]	1 1/8 [29]	2 1/4 [57]	2 [51]	3 1/8 [79]	16 [7]	18 [116]

ENGINEERING SPECIFICATION: ZURN ZN415C-75 Floor and shower drain, Dura-Coated cast iron body with bottom outlet and Z1099 Backwater Valve, combination invertible membrane clamp, adjustable collar with "TYPE C" polished hinged nickel bronze strainer, sediment bucket and closure plug.

OPTIONS (Check/specify appropriate options)

PIPE SIZE

2 thru 4 [51 thru 1020]

(Specify size/type) **OUTLET**

___ NH No-Hub

'E' BODY HT. DIM.

3 7/8 [98]

PREFIXES

- ___ ZB D.C.C.I. Body Assembly w/Polished Bronze Top
- ___ ZN D.C.C.I. Body Assembly w/Polished Nickel Bronze Top*

SUFFIXES

- ___ -AR Acid Resisting Epoxy Coated Cast Iron
- ___ -G Galvanized Cast Iron
- ___ -P Trap Primer Connection (Specify 1/2 [13] or 3/4 [19])
- ___ -U 1 - 3 [25 - 76] High Extension Adapter
- ___ -VP Vandal-Proof Secured Top

REV. A	DATE: 1/21/04	C.N. NO. 91877
DWG. NO. P-14101 PRODUCT NO. Z415C-75		

*REGULARLY FURNISHED UNLESS OTHERWISE SPECIFIED