



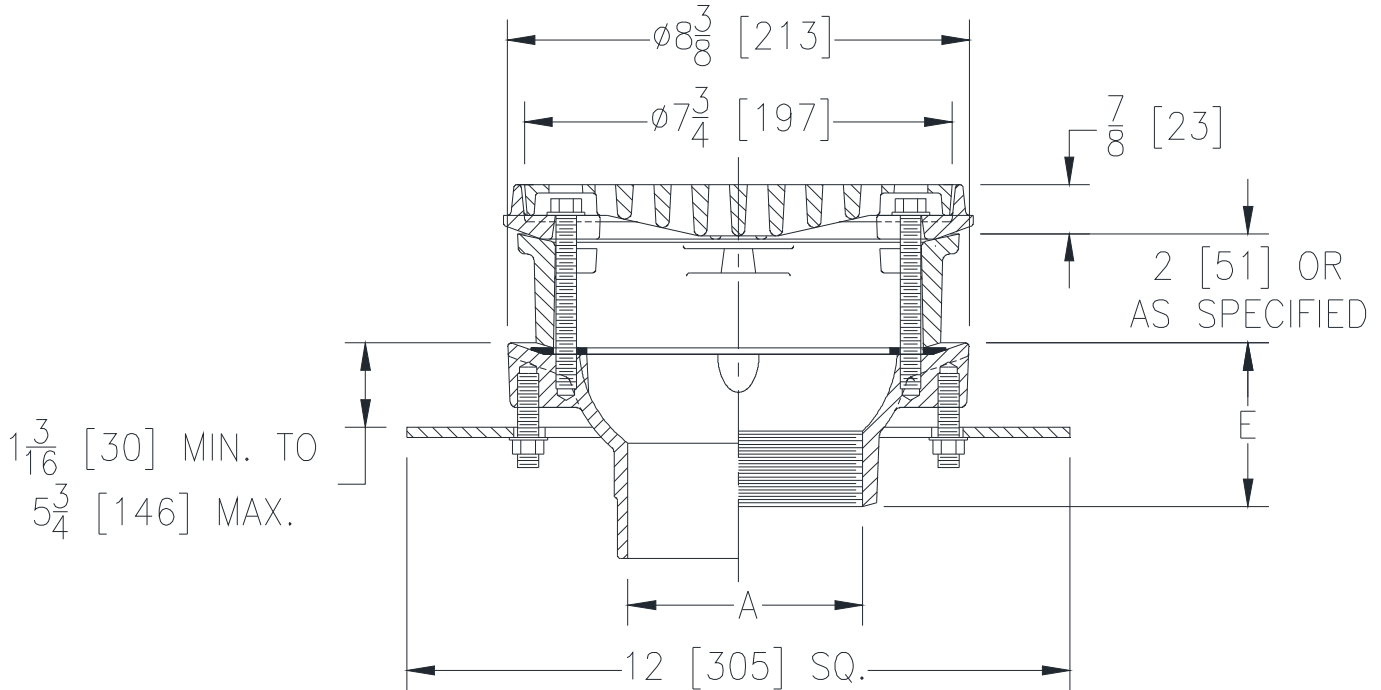
Z125-C-E-FG

8-3/8 [213] DIAMETER ROOF DRAIN W/ UNDERDECK CLAMP, STATIC EXTENSION & FLUSH GRATE

SPECIFICATION SHEET

TAG _____

Dimensional Data (inches and [mm]) are Subject to Manufacturing Tolerances and Change Without Notice



A- Pipe Size In. [mm]	Approx. Wt. Lbs. [kg]	Grate Open Area Sq. In. [cm ²]
2,3,4 [51,76,102]	22 [10]	13 [84]

ENGINEERING SPECIFICATION: ZURN Z125-C-E-FG
 8-3/8" [213mm] Diameter roof drain, Dura-Coated cast iron body with underdeck clamp, static extension with flush grate.

OPTIONS (Check/specify appropriate options)

PIPE SIZE

- 2,3,4 [51,76,102]
- 4 [102]
- 3 [76]
- 2 [51]
- 2,3,4 [51,76,102]
- 2,3,4 [51,76,102]

(Specify size/type) **OUTLET**

- ___ IC Inside Caulk
- ___ IP Threaded
- ___ IP Threaded
- ___ IP Threaded
- ___ NH No-Hub
- ___ NL Neo-Loc

'E' BODY HT. DIM.

- 3-7/8 [98]
- 3 [76]
- 2-3/4 [70]
- 2-7/16 [62]
- 4 [102]
- 3-13/16 [97]

PREFIXES

- ___ Z D.C.C.I. Body and Grate*

SUFFIXES

- ___ -AR Acid Resistant Epoxy Coated Finish
- ___ -G Galvanized Cast Iron
- ___ -R Roof Sump Receiver
- ___ -SC Secondary Clamping Collar
- ___ -TC Neo-Loc Test Cap Gasket (2,3,4 [51,76,102] NL Bottom Outlet Only)
- ___ -VP Vandal-Proof Secured Top
- ___ -XJ Vertical Expansion Joint (See Z190)
- ___ -84 Stainless Steel Perforated Gravel Guard
- ___ -85 Stainless Steel Perforated Extension
- ___ -89 2 [51] High External Water Dam
- ___ -90 90° Threaded Side Outlet Body 2,3,4 [51,76,102]

* Regularly furnished unless otherwise specified.