



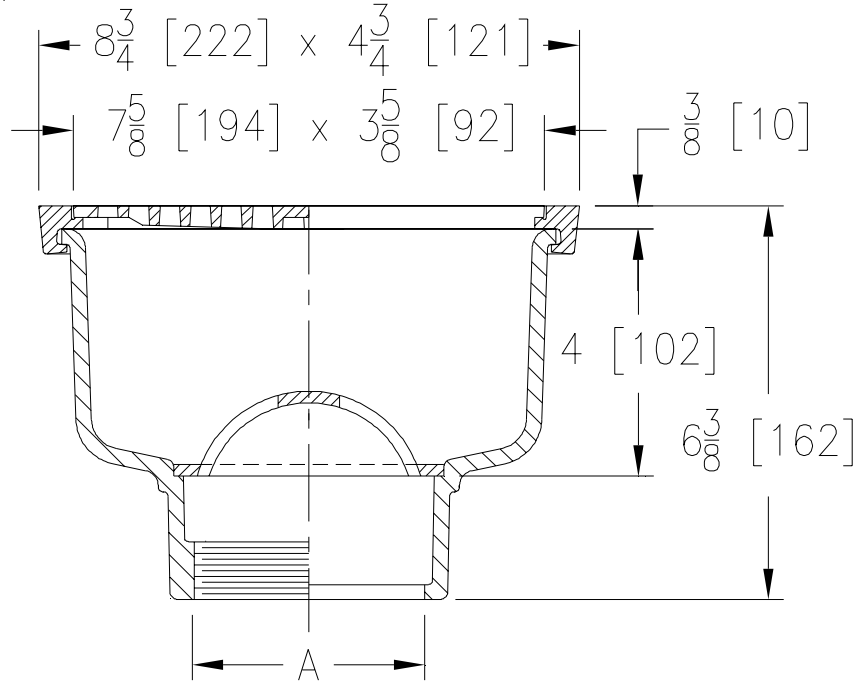
Z1930-80

SPECIFICATION SHEET

8 X 4 [203 X 102] A.R.C. SANI-FLOR RECEPTOR 4 [102] SUMP DEPTH WITH 3/4 GRATE

TAG _____

Dimensional Data (inches and [mm]) are Subject to Manufacturing Tolerances and Change Without Notice



A Pipe Size In.	Approx Wt. Lbs. [kg]	Grate Open Area Sq. In. [cm ²]
2-3-[51-76]	15 [7]	10 [65]

ENGINEERING SPECIFICATION: ZURN Z1930-80
Sani-Flor Receptor 8 x 4 x 4 [203 x 102 x 102] deep cast iron body with stainless steel frame and 3/4 grate, with white acid resisting porcelain enamel interior, complete with aluminum anti-splash interior bottom dome strainer.

OPTIONS (Check/specify appropriate options)

PIPE SIZE

2, 3 [51, 76]

2, 3 [51, 76]

(Specify size/type) **OUTLET**

___ IC Inside Caulk

___ IP Threaded

PREFIXES

___ ZS Cast Iron Body with White A.R.C. Interior, 8 3/4 x 4 3/4 [222 x 121] S.S. Frame and 3/4 Grate with 1/4 [6] Square Openings*

SUFFIXES

- ___ -K Seepage Flange With Seepage Holes
- ___ -KC Flange w/ Seepage Holes w/ Clamping Collar
- ___ -LD (Less) Internal Bottom Dome Strainer (See Z1023)
- ___ -P 1/2 [13] Trap Primer Connection
- ___ -S Secondary Strainer
- ___ -1 (Less Grate)

- ___ -23 Aluminum Bucket
- ___ -25 White A.R.E. Bucket
- ___ -31 Stainless Steel Mesh Liner for Bucket
- ___ -33 White A.R.E. Anti-Splash Bottom Dome Strainer

*REGULARLY FURNISHED UNLESS OTHERWISE SPECIFIED

REV. DATE: 9/25/06 C.N. NO. 95655

DWG. NO. P-15335 PRODUCT NO. Z1930-80