



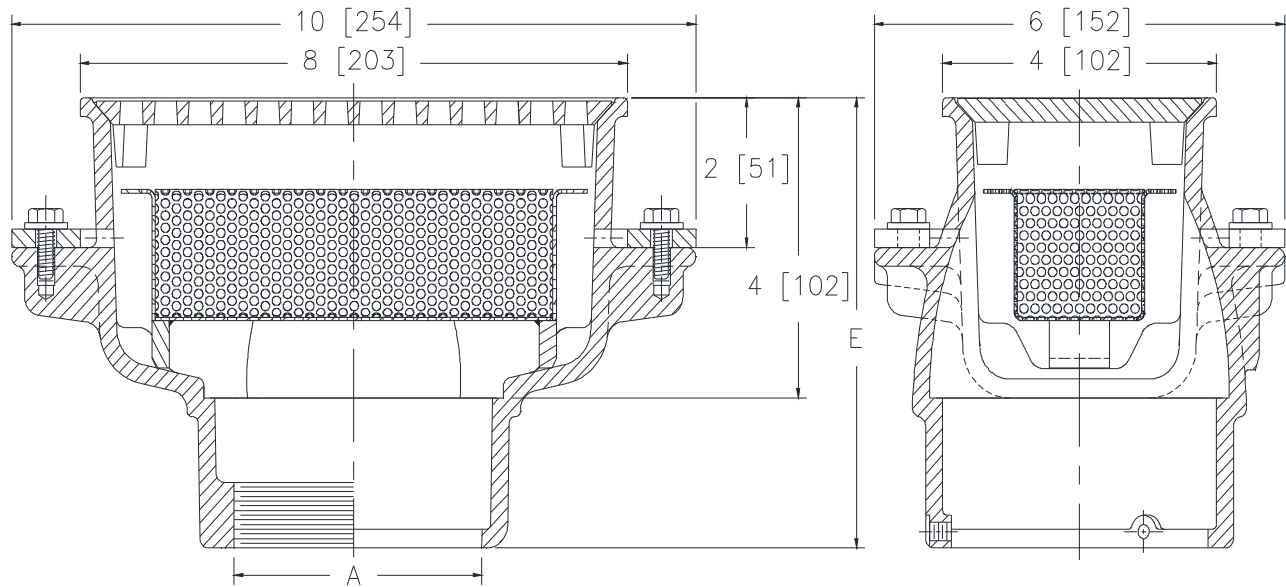
# Z1930-KC-23

8 X 4 [203 X 102] A.R.C. SANI-FLOR RECEPTOR, 4 [102] SUMP DEPTH, STAINLESS STEEL BUCKET, & ANCHOR FLANGE W/ SEEPAGE HOLES & CLAMP COLLAR

SPECIFICATION SHEET

TAG \_\_\_\_\_

Dimensional Data (inches and [ mm ]) are Subject to Manufacturing Tolerances and Change Without Notice



A Pipe Size In. [mm]	Approx Wt. Lbs. [kg]	Grate Open Area Sq. In. [cm <sup>2</sup> ]
2,3 [51,76]	12 [5]	7.5 [48]

**ENGINEERING SPECIFICATION: ZURN Z1930-KC-23**  
Sani-Flor Receptor 8" x 4" x 4" [203 mm x 102mm x 102mm] deep cast iron body with anchor flange, seepage holes and clamping collar, rectangular square hole light duty grate, with white acid resisting epoxy coated interior and top, and stainless steel sediment bucket.

**OPTIONS** (Check/specify appropriate options)

**PIPE SIZE**

- 3 [76]
- 2,3 [51, 76]
- 2,3 [51, 76]

**OUTLET** (Specify size/type)

- \_\_\_ IC Inside Caulk
- \_\_\_ IP Threaded
- \_\_\_ NL Neo-Loc

**'E' BODY HT. DIMENSION**

Z	ZN
6 [152]	6-3/8 [162]
6 [152]	6-3/8 [162]
5-13/16 [148]	6-3/16 [157]

**PREFIXES**

- \_\_\_ Z Cast Iron Body with White A.R.C. Interior\*
- \_\_\_ ZN Cast Iron Body with White A.R.C. Interior, 8-3/4 x 4-3/4 [222 x 121] Nickel Bronze Frame and Full Grate with 1/4 [6] Square Openings

**SUFFIXES**

- |   |  |
|---|--|
| ___ -P 1/2 [13] Trap Primer Connection                              | ___ -8 Grate w/ 8-7/8 x 3-5/8 x 3-3/4 [225 x 92 x 95] High Oval Funnel |
| ___ -TC Neo-Loc Test Cap Gasket (2,3 [51,76] NL Bottom Outlet Only) | ___ -11 Vandal Proof Secured Grate                                     |
| ___ -1 (Less Grate)   | ___ -15 Solid Loose Set Cover  |
| ___ -2 1/2 Grate  | ___ -31 Stainless Steel Mesh Liner for Bucket                          |
| ___ -3 3/4 Grate  |  |
| ___ -4 Full Grate w/ 2 [51] Square Center Opening                   |  |
| ___ -6 Grate w/ 6 Diameter x 6 [152 x 152] High Funnel              |  |

\* Regularly furnished unless otherwise specified.