



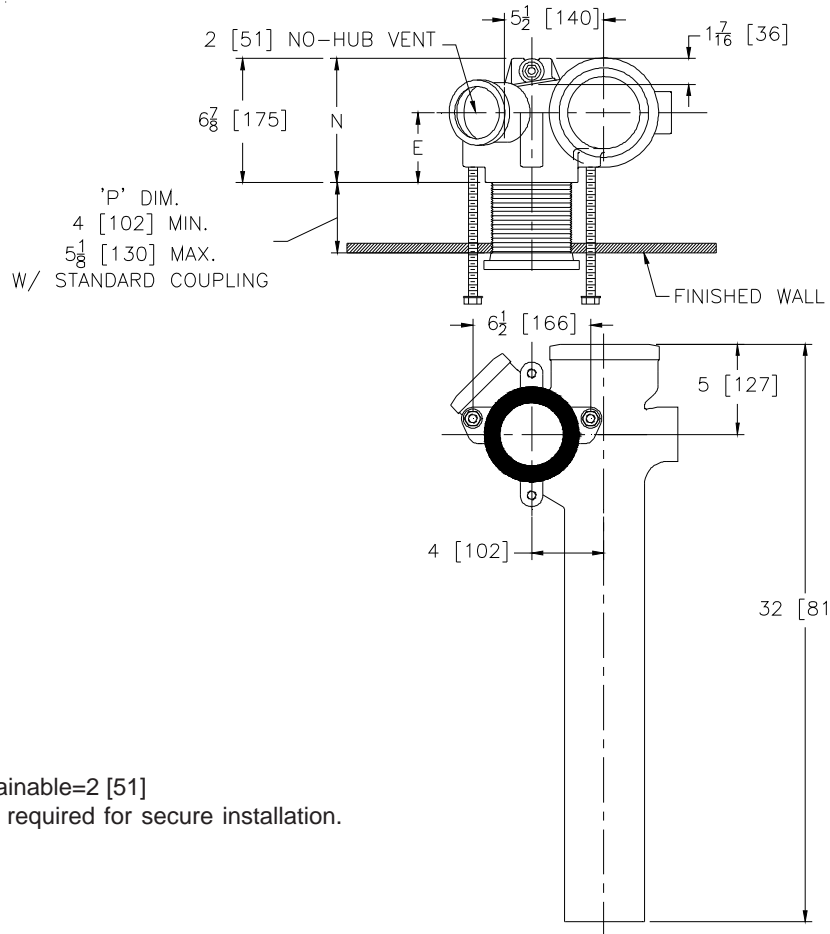
Z1209-100

VERTICAL OFFSET SUPPORT SYSTEM FOR FLOOR MOUNT, BACK OUTLET FIXTURE

SPECIFICATION SHEET

TAG _____

Dimensional Data (inches and [mm]) are Subject to Manufacturing Tolerances and Change Without Notice



Note:

1. Min. 'P' Dim. Obtainable=2 [51]
2. Rear anchor foot required for secure installation.

Product No.	Dimension In Inches		Approx. Wt. Lbs. [kg]
	E	N	
Z1209-HL4/HR4	3-3/4[95]	6-3/4[175]	82 [37]
Z1209-HD4	3-3/4[95]	6-7/8[175]	88 [40]

ENGINEERING SPECIFICATION: ZURN Z1209-100-()

Vertical Offset Siphon Jet Water Closet "Rigid System" with () size Hub and Spigot connections and 2 [51] vent. Complete with Dura-Coated cast iron main fitting, corrosion resistant adjustable ABS coupling with integral test cap, fixture bolts and trim, rear anchor tie down, and bonded "Neo-Seal" gasket.

PRODUCT/DEFINITION

- ___ Z1209-HL4 4 [102] Hub & Spigot Stack, Left Hand Offset Inlet, 2 [51] Left Hand Vent
- ___ Z1209-HR4 4 [102] Hub & Spigot Stack, Right Hand Offset Inlet, 2 [51] Right Hand Vent
- ___ Z1209-HD4 4 [102] Hub & Spigot Stack, Back to Back Offset Inlet, 2 [51] Vent

PREFIXES

- ___ Z D.C.C.I. System with Zurn "ZZ" Adjustable Coupling
- ___ ZQ D.C.C.I. System with N.P.T. Inlet, Non-Adjustable Coupling

SUFFIXES

- ___ -CC Corrosion Resistant Cast Iron Coupling (6 [152] to 12 [305])
- ___ -CL Coupling Length Greater than 12 [305] (Specify length Required)
- ___ -F Floor Mounted, Back Outlet Fixture Support
- ___ -G Galvanized Cast Iron
- ___ -JJ Two 2 [51] Auxiliary Inlet
- ___ -JS Stack Side 2 [51] Auxiliary Inlet
- ___ -JV Vent Side 2 [51] Auxiliary Inlet
- ___ -29 Mechanical Test Cap Assembly
- ___ -61 Adjusting Wrench for "ZZ" Coupling

* Regularly furnished unless otherwise specified.