



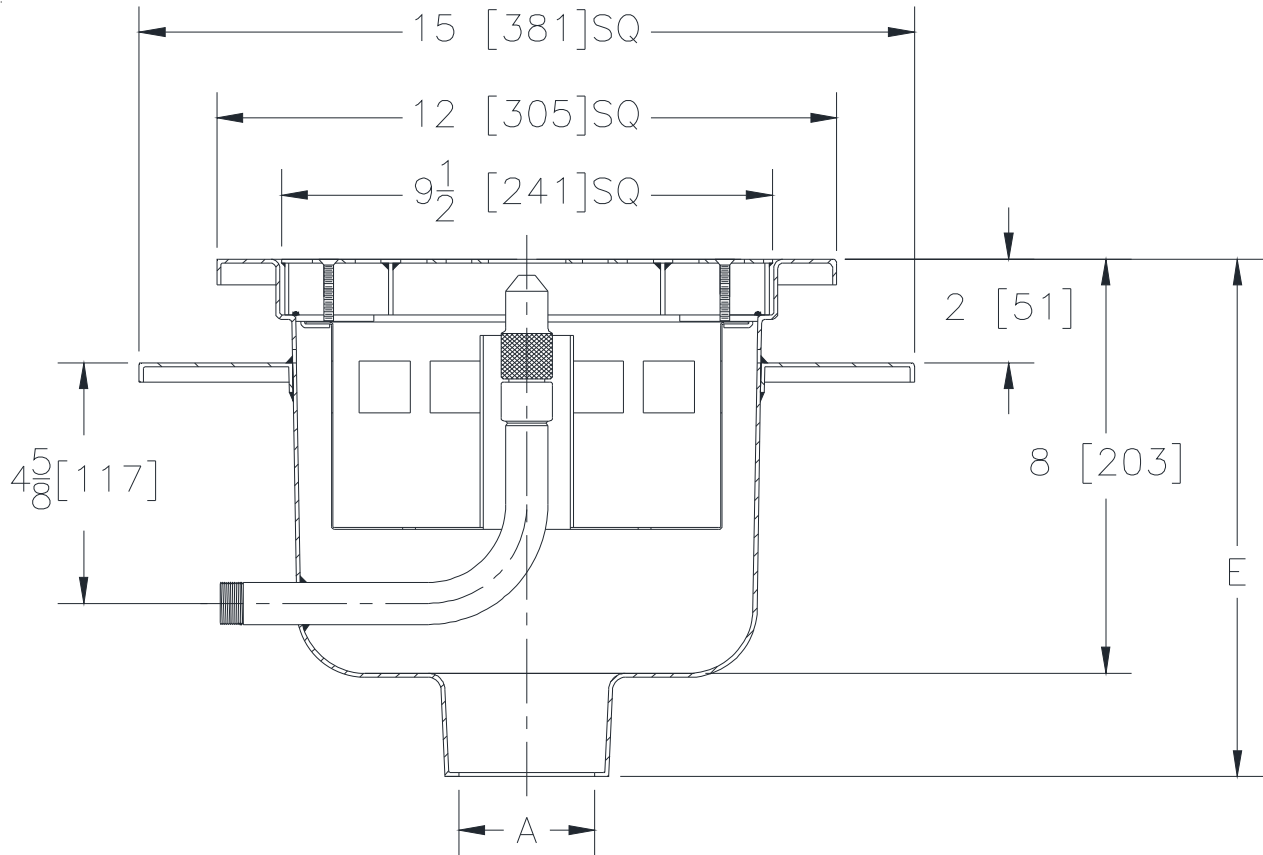
# Z1982-11

12 X 12 [305 X 305] STAINLESS STEEL SANI-FLOR CAN  
WASH DRAIN W/ VANDAL-PROOF SECURED GRATE

SPECIFICATION SHEET

TAG \_\_\_\_\_

Dimensional Data (inches and [ mm ]) are Subject to Manufacturing Tolerances and Change Without Notice



A Pipe Size In. [mm]	Approx Wt. Lbs. [kg]	Grate Open Area Sq. In. [cm <sup>2</sup> ]
3,4 [76,102]	45[20]	20 [129]

**ENGINEERING SPECIFICATION:** ZURN Z1982-11  
Sani-Flor can wash drain, 12" x 12" x 8" [305mm x 305mm x 203mm] deep fabricated stainless steel body with bottom outlet, anchor pan, vandal proof secured grate, with standing sediment bucket. Complete with chrome plated bronze spray nozzle and water supply assembly.

### OPTIONS (Check/specify appropriate options)

#### PIPE SIZE

3,4 [76,102]

#### (Specify size/type) OUTLET

\_\_\_\_ NH No-Hub

#### 'E' BODY HT. DIMENSION

10 [254]

#### PREFIXES

\_\_\_\_ Z All Type 304 Stainless Steel

#### SUFFIXES

- \_\_\_\_ -C Flashing Clamp Collar
- \_\_\_\_ -WB Water Supply Control Box
- \_\_\_\_ -31 Stainless Steel Mesh Liner for Bucket

\* Regularly furnished unless otherwise specified.

**Zurn Industries, LLC | Specification Drainage Operation**  
1801 Pittsburgh Avenue, Erie, PA U.S.A. 16502 · Ph. 855-663-9876, Fax 814-454-7929  
In Canada | **Zurn Industries Limited**  
3544 Nashua Drive, Mississauga, Ontario L4V 1L2 · Ph. 905-405-8272, Fax 905-405-1292  
[www.zurn.com](http://www.zurn.com)

Rev. A  
Date: 10/16/17  
C.N. No. 138897  
Prod. | Dwg. No. Z1982-11