



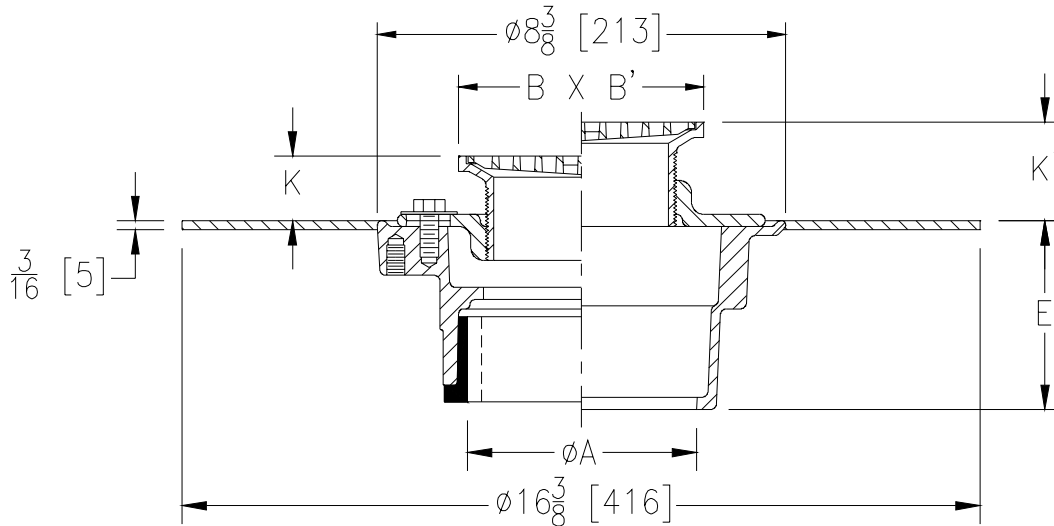
Z415S-88

BODY ASSEMBLY W/ "TYPE S" STRAINER AND DEX-O-TEX FLANGE

SPECIFICATION SHEET

TAG _____

Dimensional Data (inches and [mm]) are Subject to Manufacturing Tolerances and Change Without Notice



Dimensions In Inches						Approx. Wt. Lbs. [kg]	Strainer Open Area Sq. In. [cm ²]
A - Pipe Size	B x B' Strainer Top Size	K		K'			
		Min.	Max.	Min.	Max.		
2-3 [51-76]	5 x 5 [127 x 127]	7/8 [22]	1 3/4 [44]	1 1/2 [38]	2 5/8 [67]	12 [5]	9 [58]
2-3-4 [51-76-102]	6 x 6 [152 x 152]	1 [25]	1 7/8 [48]	1 5/8 [41]	2 7/8 [73]	13 [6]	13 [84]
2-3-4 [51-76-102]	7 x 7 [178 x 178]	1 1/4 [32]	2 5/8 [67]	1 5/8 [41]	3 1/2 [89]	14 [6]	21 [135]
3-4 [76-102]	8 x 8 [203 x 203]	1 1/4 [32]	2 5/8 [67]	2 [51]	3 1/2 [89]	15 [7]	28 [181]
6 [152]	9 x 9 [229 x 229]	1 1/4 [32]	2 5/8 [67]	2 [51]	3 1/2 [89]	19 [9]	28 [181]
6 [152]	10 x 10 [254 x 254]	1 1/4 [32]	2 5/8 [67]	2 [51]	3 1/2 [89]	21 [10]	28 [181]

ENGINEERING SPECIFICATION: ZURN ZN415S-88 Dura-Coated cast iron body with bottom outlet, combination invertible membrane clamp and Dex-O-Tex flange and adjustable collar with "TYPE S" polished nickel bronze square heelproof strainer.

OPTIONS (Check/specify appropriate options)

PIPE SIZE	(Specify size/type) OUTLET	'E' BODY HT. DIM.
2 - 4 [51-102]	_____ IC Inside Caulk	3 7/8 [98]
2 - 4 [51-102]	_____ IG Inside Gasket	3 7/8 [98]
2 [51]	_____ IP Threaded	2 3/8 [60]
3 [76]	_____ IP Threaded	2 5/8 [67]
4 [102]	_____ IP Threaded	2 7/8 [73]
6 [152]	_____ IP Threaded	2 3/4 [70]
2 - 4 [51-102]	_____ NH No-Hub	3 7/8 [98]
2 - 4 [51-102]	_____ NL Neo-Loc	3 3/4 [95]

PREFIXES

- _____ ZB D.C.C.I. Body Assembly w/Polished Bronze Top
- _____ ZN D.C.C.I. Body Assembly w/Polished Nickel Bronze Top*

SUFFIXES

- | | |
|---|---|
| _____ -AR Acid Resisting Epoxy Coated Cast Iron | _____ -U 1-3 [25-76] High Extension Adapter |
| _____ -CP Chrome-Plated Bronze Top | _____ -V Backwater Valve |
| _____ -DP Decorative Polished Top | _____ -VP Vandal-Proof Secured Top |
| _____ -G Galvanized Cast Iron | _____ -Y Sediment Bucket |
| _____ -HD Heavy Duty Grate | _____ -90 2 or 3 [51 or 76] Side Outlet Body Assembly |
| _____ -P Trap Primer Connection (Specify 1/2 [13] or 3/4 [19]) | |
| _____ -PD Prom-Deck Grate-Decorative Slots (8 x 8 [203 x 203] Only) | |
| _____ -TC Neo-Loc Test Cap Gasket
(2 [51] -4 [102] NL Outlet Only) | |

*REGULARLY FURNISHED UNLESS OTHERWISE SPECIFIED

REV.	DATE: 02/01/05	C.N. NO. 92923
DWG. NO. P-15123		PRODUCT NO. Z415S-88

ZURN INDUSTRIES, INC. ♦ SPECIFICATION DRAINAGE OPERATION ♦ 1801 Pittsburgh Ave. ♦ Erie, PA 16514

Phone: 814/455-0921 ♦ Fax: 814/454-7929 ♦ World Wide Web: www.zurn.com

In Canada: ZURN INDUSTRIES LIMITED ♦ 3544 Nashua Drive ♦ Mississauga, Ontario L4V1L2 ♦ Phone: 905/405-8272 Fax: 905/405-1292