



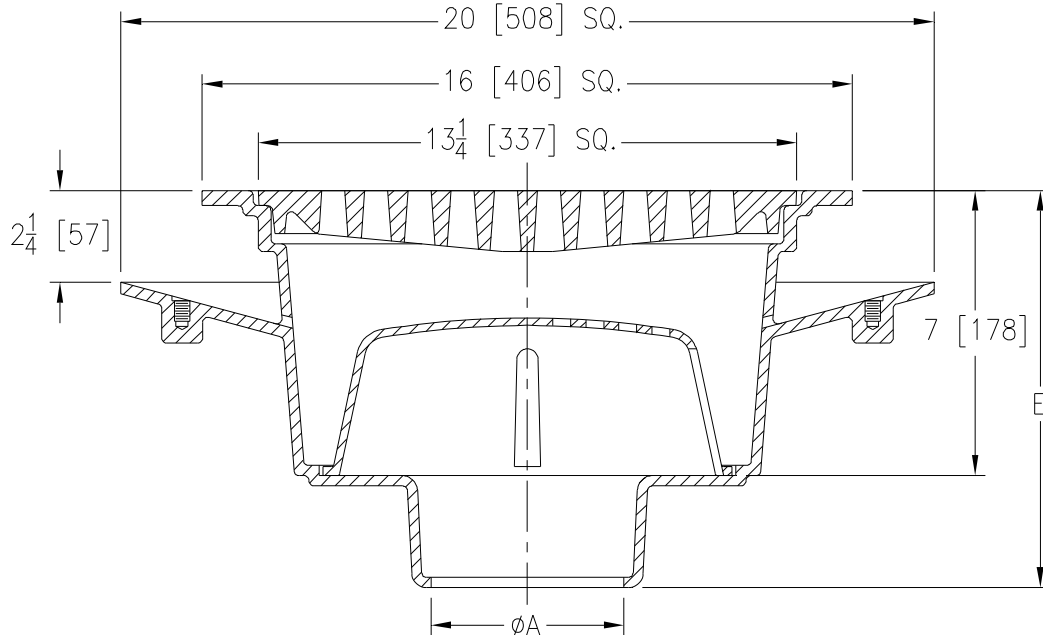
Z1920-K

16 X 16 [406 X 406] A.R.C. SANI-FLOR RECEPTOR,
7 [178] SUMP DEPTH AND ANCHOR FLANGE

SPECIFICATION SHEET

TAG _____

Dimensional Data (inches and [mm]) are Subject to Manufacturing Tolerances and Change Without Notice



A- Pipe Size In. [mm]	Approx Wt. Lbs. [kg]	Grate Open Area Sq. In. [cm ²]
2,3,4,6,8 [51,76,102,152,203]	81 [37]	54 [348]

ENGINEERING SPECIFICATION: ZURN Z1920-K

Sani-Flor Receptor 16 "x 16" x 7" [406mm x 406mm x 178mm] deep cast iron body with anchor flange and seepage holes, square slotted heavy duty grate, with white acid resisting epoxy coating interior and top, complete with aluminum anti-splash interior bottom dome strainer.

OPTIONS (Check/specify appropriate options)

PIPE SIZE

2,3,4,6 [51,76,102,152]
8 [203]
2,3,4 [51,76,102]

(Specify size/type) OUTLET

___ IC Inside Caulk
___ IC Inside Caulk
___ NL Neo-Loc

'E' BODY HT. DIMENSION

Z	ZN
9-3/4 [248]	10 [254]
10-1/4 [260]	10-1/2 [267]
9 [229]	9-3/16 [233]

PREFIXES

___ Z Cast Iron Body with White A.R.C. Interior*
___ ZN Cast Iron Body with White A.R.C. Interior, 16-3/4 [425] Square Nickel Bronze Frame and Full Grate

SUFFIXES

___ -LD (Less) Bottom Dome Strainer	___ -11 Vandal-Proof Secured Grate
___ -P 1/2 [13] Trap Primer Connection	___ -15 Solid Loose Set Cover
___ -TC Neo-Loc Test Cap Gasket (2,3,4 [51,76,102] NL Bottom Outlet Only)	___ -23 Aluminum Bucket
___ -1 (Less) Grate	___ -25 White A.R.C. Bucket
___ -2 1/2 Grate	___ -31 Stainless Steel Mesh Liner for Bucket
___ -3 3/4 Grate	___ -33 White A.R.C. Anti-Splash Bottom Dome Strainer
___ -4 Full Grate with Square Center Opening	
___ -6 Grate w/ 6 [152] Dia. x 6 [152] High Funnel	
___ -8 Grate w/ 8-7/8 x 3-5/8 x 3-3/4 [225 x 92 x 95] High Oval Funnel	

* Regularly furnished unless otherwise specified.

Zurn Industries, LLC | Specification Drainage Operation
1801 Pittsburgh Avenue, Erie, PA U.S.A. 16502 · Ph. 855-663-9876, Fax 814-454-7929
In Canada | Zurn Industries Limited
3544 Nashua Drive, Mississauga, Ontario L4V 1L2 · Ph. 905-405-8272, Fax 905-405-1292
www.zurn.com

Rev. B
Date: 10/13/17
C.N. No. 138806
Prod. | Dwg. No. Z1920-K