



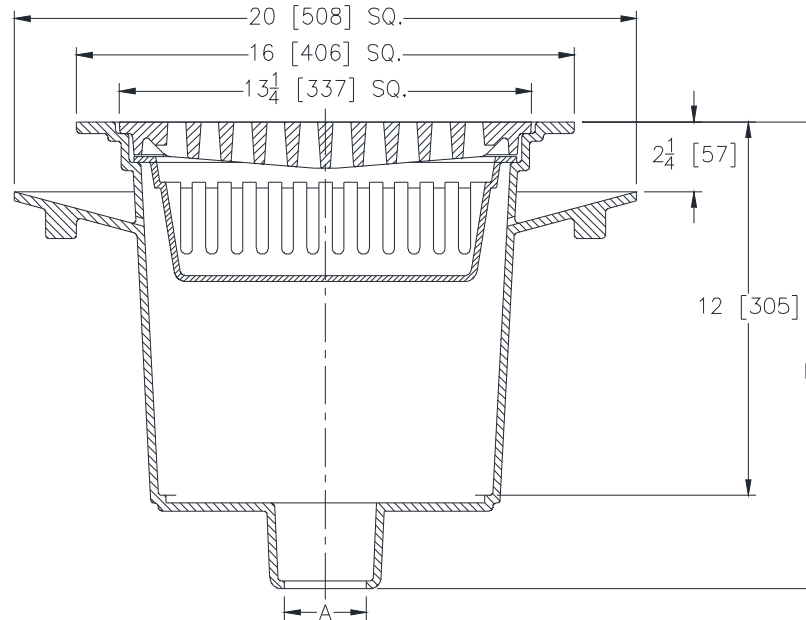
Z1926-23

16 X 16 [406 X 406] A.R.C. SANI-FLOR RECEPTOR
12 [305] SUMP DEPTH WITH ALUMINUM BUCKET

SPECIFICATION SHEET

TAG _____

Dimensional Data (inches and [mm]) are Subject to Manufacturing Tolerances and Change Without Notice



A- Pipe Size In. [mm]	Approx Wt. Lbs. [kg]	Grate Open Area Sq. In. [cm ²]
2, 3, 4, 5, 6, 8 [51, 76, 102, 127, 152, 203]	153 [70]	54 [348]

ENGINEERING SPECIFICATION: ZURN Z1926-23

Sani-Flor Receptor 16" x 16" x 12" [406mm x 406mm x 305mm] deep cast iron body with seepage flange and square slotted heavy duty grate, with white acid resisting epoxy coated interior and top, complete with aluminum bucket.

OPTIONS (Check/specify appropriate options)

PIPE SIZE

(Specify size/type) **OUTLET**

'E' BODY HT. DIMENSION

		Z	ZN
3, 4, 6 [76, 102, 152]	___ IC Inside Caulk	15 [381]	15-3/16 [386]
2, 3, 4, 5, 6, 8 [51, 76, 102, 127, 152, 203]	___ NH No-Hub	15 [381]	15-3/16 [386]
2, 3, 4 [51, 76, 102]	___ NL Neo-Loc	14-1/4 [362]	14-7/16 [367]

PREFIXES

___ Z	Cast Iron Body with White A.R.C. Interior*
___ ZN	Cast Iron Body with White A.R.C. Interior, 16-3/4 [425] Square Nickel Bronze Frame and Full Grate

SUFFIXES

___ -C	Clamping Collar	___ -8	Grate w/8-7/8 x 3-5/8 x 3-3/4 [225 x 92 x 95] High Oval Funnel
___ -P	1/2 [13] Trap Primer Connection	___ -11	Vandal Proof Secured Grate
___ -TC	Neo-Loc Test Cap Gasket (2, 3, 4 [51, 76, 102] NL Bottom Outlet Only)	___ -15	Solid Loose Set Cover
___ -1	(Less) Grate	___ -31	Stainless Steel Mesh Liner for Bucket
___ -2	1/2 Grate		
___ -3	3/4 Grate		
___ -4	Full Grate With 2 [51] Square Opening		
___ -6	Grate w/6 [152] Diameter x 6 [152] High Funnel		

* Regularly furnished unless otherwise specified.

Zurn Industries, LLC | Specification Drainage Operation
1801 Pittsburgh Avenue, Erie, PA U.S.A. 16502 · Ph. 855-663-9876, Fax 814-454-7929
In Canada | Zurn Industries Limited
3544 Nashua Drive, Mississauga, Ontario L4V 1L2 · Ph. 905-405-8272, Fax 905-405-1292
www.zurn.com

Rev. B
Date: 10/13/2017
C.N. No. 138813
Prod. | Dwg. No. Z1926-23