



# Z1395-AC

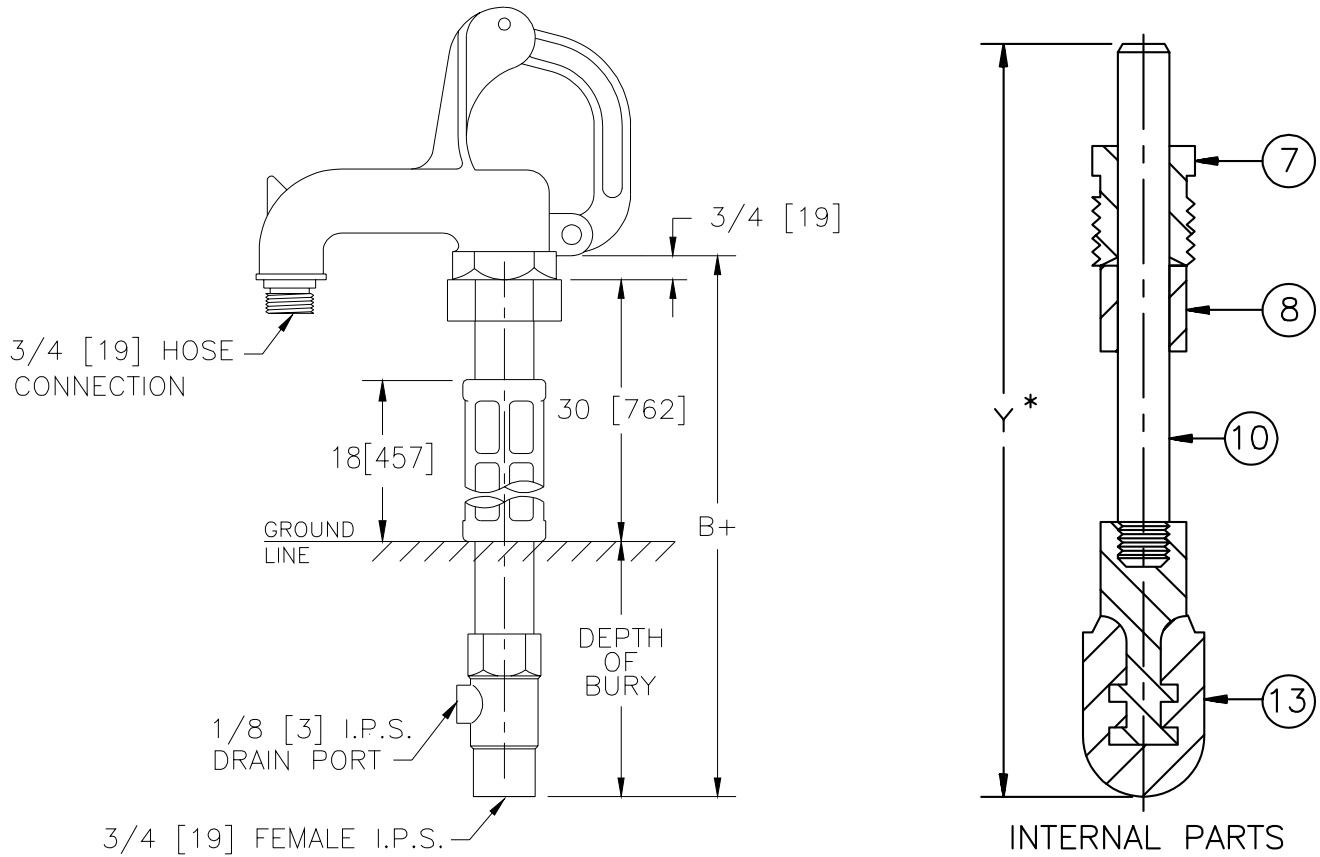
## YARD HYDRANT WITH CASING GUARD

### Exposed Head, Non-Freeze

SPECIFICATION SHEET

TAG \_\_\_\_\_

Dimensional Data (inches and [ mm ]) are Subject to Manufacturing Tolerances and Change Without Notice



Depth of Bury Feet	B+ Dim. Feet	Approx. Wt. Lbs. [kg]
2 [610]	4 1/2 [1372]	15 [7]
3 [914]	5 1/2 [1676]	19 [9]
4 [1219]	6 1/2 [1981]	23 [10]
5 [1524]	7 1/2 [2286]	27 [12]
6 [1829]	8 1/2 [2591]	31 [14]
8 [2438]	10 1/2 [3200]	39 [18]

**ENGINEERING SPECIFICATION:** ZURN Z1395-AC Exposed, non-freeze yard hydrant, with aluminum casing guard, Dura-Coated cast iron head and lift handle with lock option. Bronze interior parts and galvanized steel casing with bronze valve housing and 1/8 [3] IP drain port in housing.

Note: 'B' dim. based on outlet connection 30 [762] above ground.  
 \*\* Non-Freeze feature will not function when (-VB suffix) vacuum breaker is specified.

**OPTIONS** (Check/specify appropriate options)

**SUFFIXES**

- \_\_\_\_\_ -RK Hydrant Parts Repair Kit
- \_\_\_\_\_ -VB 3/4 [19] Adapter Vacuum Breaker\*\*

**PARTS LIST**

<u>Item</u>	<u>Name</u>	<u>Quan.</u>
7	Operating Coupling	1
8	Packing	1
10	Operating Rod	1
13	Plunger	1

REV. A	DATE: 8/29/03	C.N. NO. 91238
DWG. NO. 59963	PRODUCT NO. Z1395-AC	

\*WHEN ORDERING REPLACEMENT PARTS SPECIFY Y DIM.