

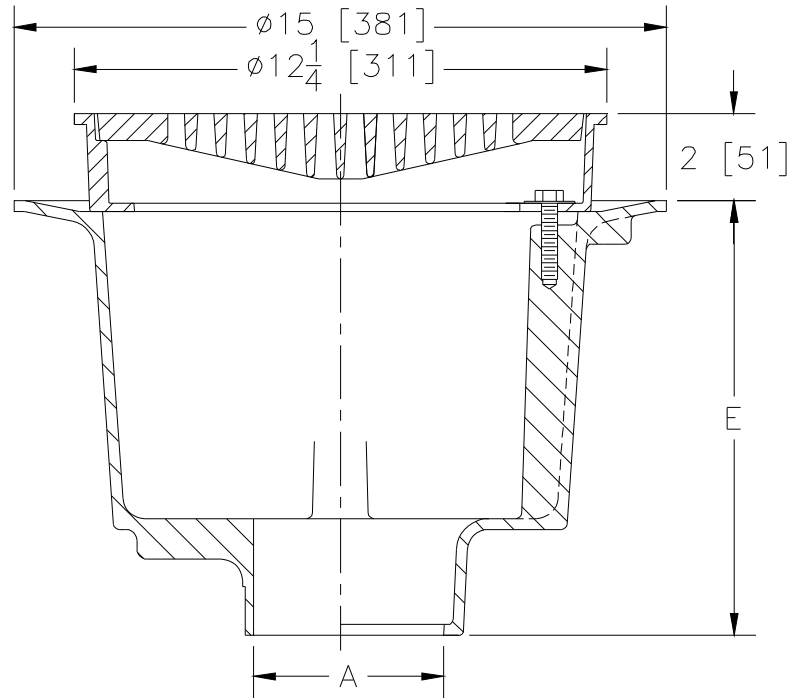


**Z539-LY**  
 12-1/4 [311] HEAVY-DUTY DRAIN  
 WITH DEEP SUMP

SPECIFICATION SHEET

TAG \_\_\_\_\_

Dimensional Data (inches and [ mm ]) are Subject to Manufacturing Tolerances and Change Without Notice



A Pipe Size In [mm]	Approx. Wt. Lbs. [kg]	Grate Open Area Sq. In. [cm <sup>2</sup> ]
3,4,6 [76,102,152]	68 [31]	30 [194]
8 [203]		

**ENGINEERING SPECIFICATION: ZURN Z539-LY**  
 12-1/4" [311mm] Diameter top drain, Dura-Coated cast iron deep sump body with bottom outlet, seepage pan and combination membrane flashing clamp and frame for heavy-duty slotted grate.

**OPTIONS** (Check/specify appropriate options)

**PIPE SIZE**

3,4,6,8 [76,102,152,203]  
 3,4 [76,102]

(Specify size/type) **OUTLET**

\_\_\_ NH No-Hub  
 \_\_\_ NL Neo-Loc

**'E' BODY HT. DIM.**

10 [254]  
 9-5/16 [237]

**PREFIXES**

\_\_\_ Z D.C.C.I. Body and Top\*  
 \_\_\_ ZN D.C.C.I. Body with Polished Nickel Bronze Top (Add 3/16 [5] to 2 [51] Dim. and 3/4 [20] to 12-1/4 [311] Dim.)

**SUFFIXES**

\_\_\_ -G Galvanized Cast Iron  
 \_\_\_ -HP Heel-Proof Grate  
 \_\_\_ -SS Stainless Steel Mesh Liner for Bucket  
 \_\_\_ -T Square Top  
 \_\_\_ -TC Neo-Loc Test Cap Gasket (3,4 [76,102] NL Outlets Only)  
 \_\_\_ -TS Top Secured with Slotted Screws  
 \_\_\_ -VP Vandal-Proof Secured Top  
 \_\_\_ -YF Free Standing Bucket

\* Regularly furnished unless otherwise specified.