



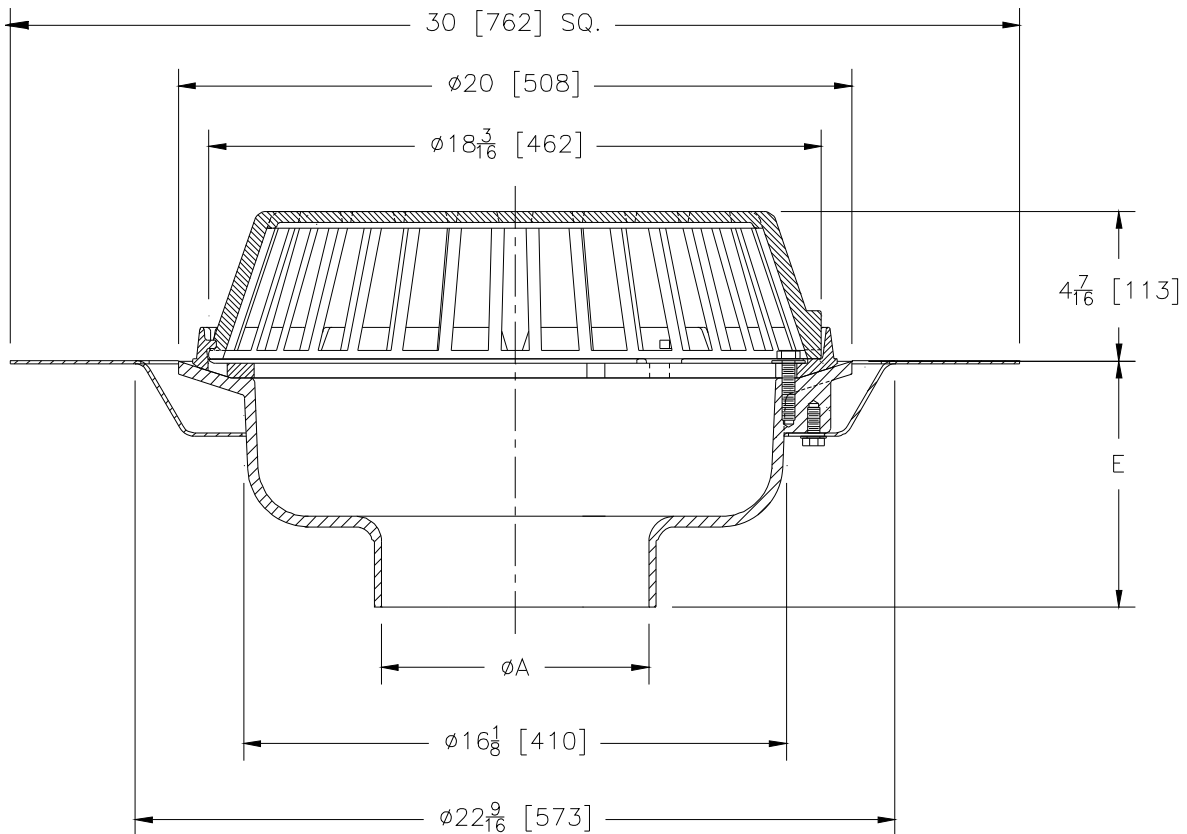
Z101-DP

20 [508] DIAMETER MAIN ROOF DRAIN WITH TOP-SET® DECK PLATE

SPECIFICATION SHEET

TAG _____

Dimensional Data (inches and [mm]) are Subject to Manufacturing Tolerances and Change Without Notice



A- Pipe Size In.[mm]	Approx. Wt. Lbs. [kg]	Dome Open Area Sq. In. [cm ²]
8 [203]	87 [39]	216 [1394]
10 [254]	88 [40]	
12 [305]	89 [40]	

ENGINEERING SPECIFICATION: ZURN Z101-DP
 20" [508mm] Diameter roof drain. Dura-Coated cast iron body with combination membrane flashing clamp/gravel guard, Top-Set® deck plate and low silhouette dome.

PIPE SIZE

8, 10, 12 [203, 254, 305]

(Specify size/type) **OUTLET**

_____ NH No-Hub

E BODY HT. DIM.

7-5/16 [185]

PREFIXES

_____ Z D.C.C.I. Body with Cast Iron Dome

SUFFIXES

- _____ -AR Acid Resistant Epoxy Coated
- _____ -E Static Extension 1 [25] thru 4 [102] (Specify Height)
- _____ -G Galvanized Cast Iron
- _____ -W2 2 [51] Internal Water Dam
- _____ -W3 3 [76] Internal Water Dam
- _____ -W4 4 [102] Internal Water Dam
- _____ -89 2 [51] External Water Dam

* Regularly furnished unless otherwise specified.