



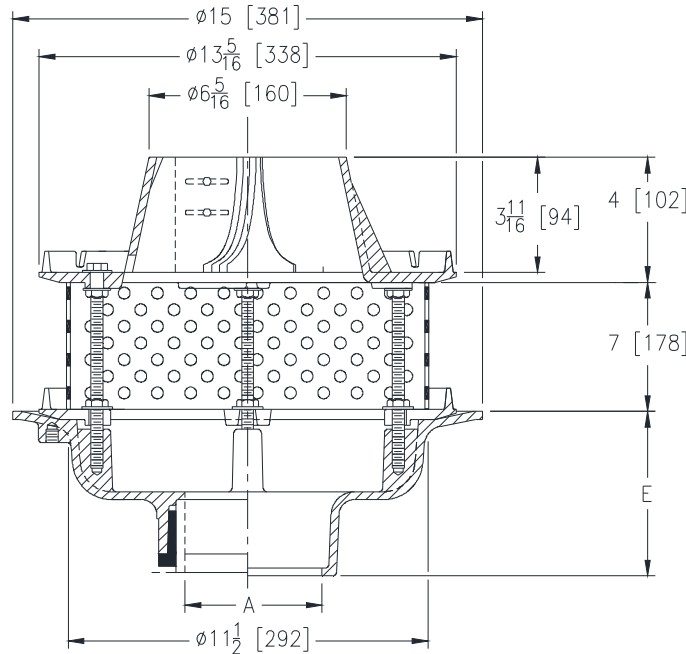
# Z105-106

## CONTROL-FLO ROOF DRAIN W/ PARABOLIC WEIR, 7 [178] PERFORATED EXTENSION AND SECONDARY GRAVEL GUARD

SPECIFICATION SHEET

TAG \_\_\_\_\_

Dimensional Data (inches and [ mm ]) are Subject to Manufacturing Tolerances and Change Without Notice



A- Pipe Size In. [mm]	Approx. Wt. Lbs. [kg]	Dome Open Area Sq. In. [cm <sup>2</sup> ]
2,3,4 [51,76,102]	34 [15]	103 [665]

### ENGINEERING SPECIFICATION: ZURN Z105-106

15" [381mm] Diameter Control-Flo roof drain for dead-level roof construction, Dura-Coated cast iron body, Control-Flo weir shall be linear functioning, flowing 5 GPM [19 LPM] per inch of head, with integral membrane flashing clamp/gravel guard, 7" [178mm] perforated extension, and gravel guard. All data shall be verified proportional to flow rates.

### OPTIONS (Check/specify appropriate options)

#### PIPE SIZE

- 3, 4 [76, 102]
- 2, 3, 4 [51, 76, 102]
- 2, 3, 4 [51, 76, 102]

#### (Specify size/type) OUTLET

- \_\_\_ IC Inside Caulk
- \_\_\_ NH No-Hub
- \_\_\_ NL Neo-Loc

#### 'E' BODY HT. DIM.

- 5-1/4 [133]
- 5-1/4 [133]
- 4-9/16 [116]

#### PREFIXES

- \_\_\_ Z D.C.C.I. Body with Poly-Dome\*
- \_\_\_ ZA D.C.C.I. Body with Aluminum Dome
- \_\_\_ ZC D.C.C.I. Body with Cast Iron Dome

#### SUFFIXES

- \_\_\_ -C Underdeck Clamp
- \_\_\_ -DP Top-Set® Deck Plate (Replaces both -C & -R)
- \_\_\_ -E Static Extension 1 [25] thru 4 [102] (Specify Ht.)
- \_\_\_ -EA Adjustable Extension Assembly  
2-1/8 [54] thru 3-1/2 [89]
- \_\_\_ -G Galvanized Cast Iron
- \_\_\_ -R Roof Sump Receiver
- \_\_\_ -TC Neo-Loc Test Cap Gasket  
(2,3,4 [51,76,102] NL Bottom Outlet Only)
- \_\_\_ -VP Vandal Proof Secured Top
- \_\_\_ -10 6 [152] High Parabolic Weir for Sloped Roof (ZC or ZA)

#### NOTE:

Flow through perforated extension will negate the effects of the Control-Flo weir.

\* Regularly furnished unless otherwise specified.