



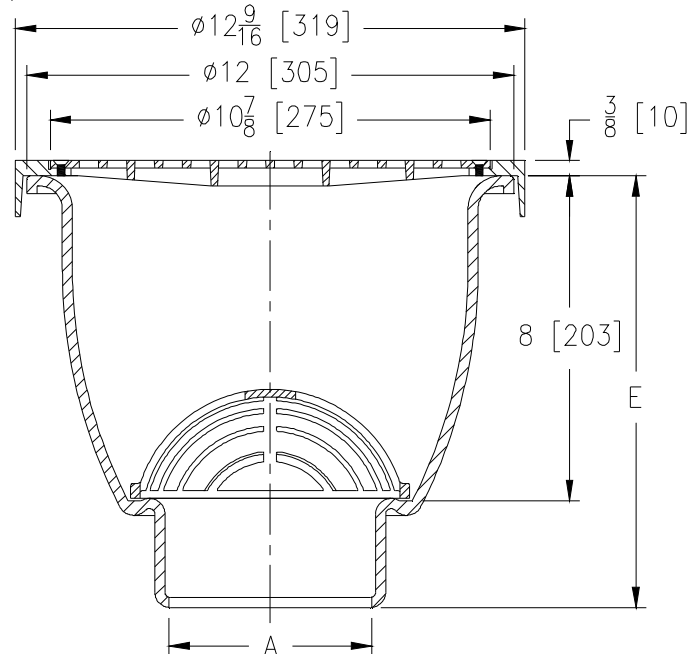
ZN1950-11

12-9/16 [319] DIAMETER A.R.E. SANI-FLOR RECEPTOR
 8 [203] SUMP DEPTH W/ NICKEL BRONZE FRAME
 AND VANDAL-PROOF SECURED GRATE

SPECIFICATION SHEET

TAG _____

Dimensional Data (inches and [mm]) are Subject to Manufacturing Tolerances and Change Without Notice



A - Pipe Size In. [mm]	Approx Wt. Lbs. [kg]	Grate Open Area Sq. In. [cm ²]
2,3,4 [51,76,102]	42 [19]	22 [142]

ENGINEERING SPECIFICATION: ZURN ZN1950-11

Sani-Flor Receptor 12" [305mm] diameter x 8" [203mm] deep cast iron body, with white acid resisting porcelain enamel interior and top, black ground enamel exterior coating, 12-9/16" [319mm] diameter nickel bronze frame and vandal-proof secured grate, complete with white ABS anti-splash interior bottom dome strainer.

OPTIONS (Check/specify appropriate options)

PIPE SIZE

- 3, 4 [76, 102]
- 2, 3, 4 [51, 76, 102]
- 2, 3, 4 [51, 76, 102]

(Specify size/type) OUTLET

- ___ IC Inside Caulk
- ___ NH No-Hub
- ___ NL Neo-Loc

'E' BODY HT. DIMENSION

- 11 [279]
- 11 [279]
- 10-3/8 [264]

PREFIXES

- ___ ZN Cast Iron Body with White A.R.E. Interior, 12-9/16 [319] N.B. Frame and Vandal-Proof Grate with 15/32 [12] Square Openings*

SUFFIXES

- | | | | |
|---------|--|---------|---|
| ___ -K | Anchor Flange with Seepage Holes | ___ -23 | Aluminum Bucket |
| ___ -KC | Anchor Flange with Seepage Holes and Clamp Collar | ___ -25 | White A.R.C. Bucket |
| ___ -LD | (Less) Bottom Dome Strainer | ___ -31 | Stainless Steel Mesh Liner for Bucket |
| ___ -P | 1/2 [13] Trap Primer Connection | ___ -32 | Aluminum Dome Strainer |
| ___ -TC | Neo-Loc Test Cap Gasket
(2-3 [51-76] NL Bottom Outlet Only) | ___ -33 | White A.R.E. Anti-Splash Bottom Dome Strainer |
| ___ -2 | 1/2 Grate | | |
| ___ -3 | 3/4 Grate | | |
| ___ -4 | Full Grate with Square Center Opening | | |
| ___ -6 | Grate w/ 6 [152] Dia. x 6 [152] High Funnel
High Oval Funnel | | |
| ___ -8 | Grate w/ 8-7/8 x 3-5/8 x 3-3/4 [225 x 92 x 95]
High Oval Funnel | | |

* Regularly furnished unless otherwise specified.

Zurn Industries, LLC | Specification Drainage Operation
 1801 Pittsburgh Avenue, Erie, PA U.S.A. 16502 · Ph. 855-663-9876, Fax 814-454-7929
 In Canada | Zurn Industries Limited
 3544 Nashua Drive, Mississauga, Ontario L4V 1L2 · Ph. 905-405-8272, Fax 905-405-1292
www.zurn.com

Rev. B
 Date: 10/16/2017
 C.N. No. 138861
 Prod. | Dwg. No. ZN1950-11