



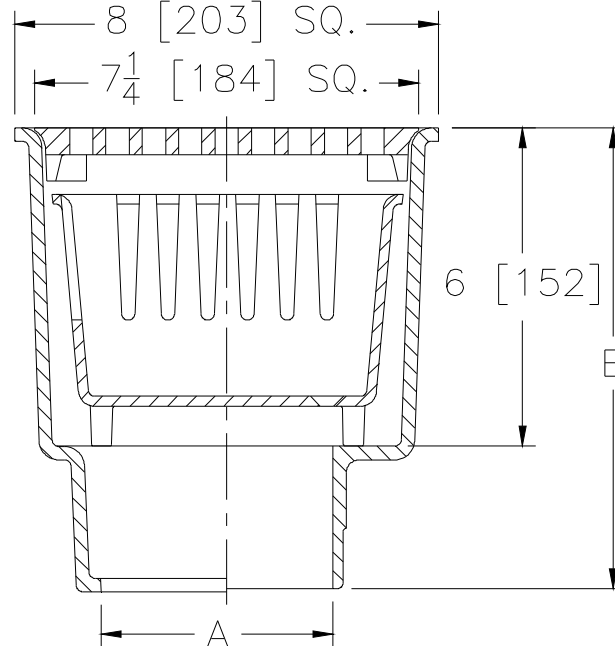
Z1910-25

8 X 8 [203 X 203] A.R.E. SANI-FLOR RECEPTOR 6 [152]
SUMP DEPTH W/ WHITE A.R.C. BUCKET

SPECIFICATION SHEET

TAG _____

Dimensional Data (inches and [mm]) are Subject to Manufacturing Tolerances and Change Without Notice



A Pipe Size In. [mm]	Approx Wt. Lbs. [kg]	Grate Open Area Sq. In. [cm ²]
2,3,4 [51,76,102]	25 [12]	19 [123]

ENGINEERING SPECIFICATION: ZURN Z1910-25

Sani-Flor Receptor 8" x 8" x 6" [203mm x 203mm x 152mm] deep cast iron body and square, medium-duty grate with 7/16" [11mm] slotted openings, white acid resisting porcelain enamel interior and top, and black ground enamel exterior coating, complete with white A.R.C. bucket.

OPTIONS (Check/specify appropriate options)

PIPE SIZE

- 3,4 [76,102]
- 2,3,4 [51,76,102]
- 2,3,4 [51,76,102]

(Specify size/type) OUTLET

- ___ IC Inside Caulk
- ___ NH No-Hub
- ___ NL Neo-Loc

'E' BODY HT. DIMENSION

Z	ZN
8-3/4 [222]	9-1/4 [235]
8-5/8 [219]	9-1/8 [232]
8 [203]	8-1/2 [216]

PREFIXES

- ___ Z Cast Iron Body with White A.R.E. Interior*
- ___ ZN Cast Iron Body with White A.R.E. Interior, 8-9/16 [217] Square N.B. Frame and Full Grate with 5/16 [8] Square Openings (Add 1/2 [13] to 8 [203] and 'E' Dim.)

SUFFIXES

- | | |
|---|--|
| ___ -DX Dex-O-Tex Flange (ZN Only) | ___ -8 Grate w/ 8-7/8 x 3-5/8 x 3-3/4 [225 x 92 x 95] High Oval Funnel |
| ___ -K Anchor Flange | ___ -11 Vandal-Proof Secured Grate (ZN Only) |
| ___ -KC Anchor Flange with Seepage Holes and Clamp Collar | ___ -15 Solid Loose Set Cover |
| ___ -LD Less Bottom Dome Strainer | ___ -19 Full Hinged Grate (ZN Only) |
| ___ -P 1/2 [13] Trap Primer Connection (See Z1023) | ___ -31 Stainless Steel Mesh Liner for Bucket |
| ___ -TC Neo-Loc Test Cap Gasket (2,3,4 [51,76,102] NL Bottom Outlet Only) | |
| ___ -1 Less Grate | |
| ___ -2 1/2 Grate | |
| ___ -3 3/4 Grate | |
| ___ -4 Full Grate with Square Center Opening | |
| ___ -6 Grate w/ 6 [152] Dia. x 6 [152] High Funnel | |

* Regularly furnished unless otherwise specified.