

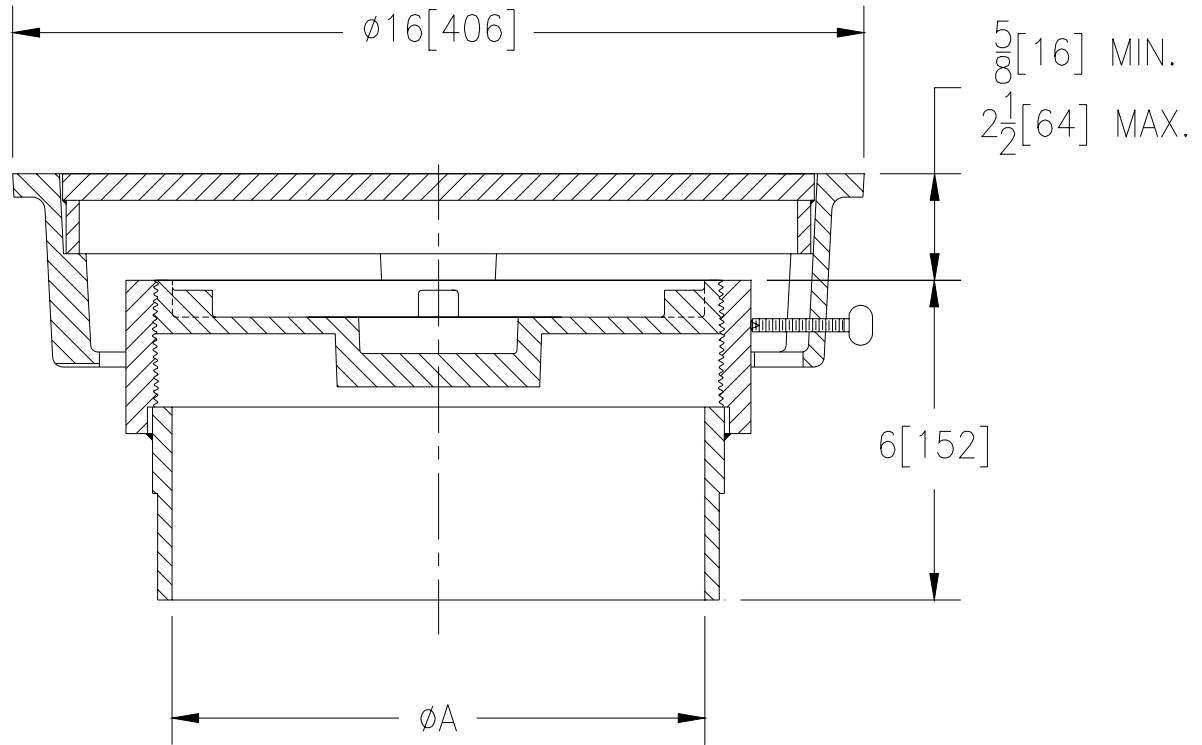


10" [254] ADJUSTABLE CLEANOUT

SPECIFICATION SHEET

TAG _____

Dimensional Data (inches and [mm]) are Subject to Manufacturing Tolerances and Change Without Notice



ENGINEERING SPECIFICATION: ZURN Z-1406-76 Adjustable floor cleanout with No-Hub connection Dura-Coated cast iron body with ABS gas and water tight plug, round cast iron top adjustable to finished floor.

OPTIONS (check/specify appropriate options)

OUTLET (Specify type)

_____ No-Hub

A- PIPE SIZE

_____ 10 [254]

PREFIXES

- _____ **Z-** D.C.C.I. Body and Top*
- _____ **ZB-** D.C.C.I. Body with Polished Bronze Top (Add 3/16 [5] to 1-2 [25-51] Dim.)
- _____ **ZN-** D.C.C.I. Body with Polished Nickel Bronze (Add 3/16 [5] to 1-2 [25-51] Dim.)

SUFFIXES

- _____ **-BP** Bronze Plug
- _____ **-G** Galvanized Cast Iron
- _____ **-VP** Vandal Proof Top

REV. A	DATE: 2/25/97	C.N. NO. 77059
DWG. NO. P-13623	PRODUCT NO. Z-1406-76	

*REGULARLY FURNISHED UNLESS OTHERWISE SPECIFIED