



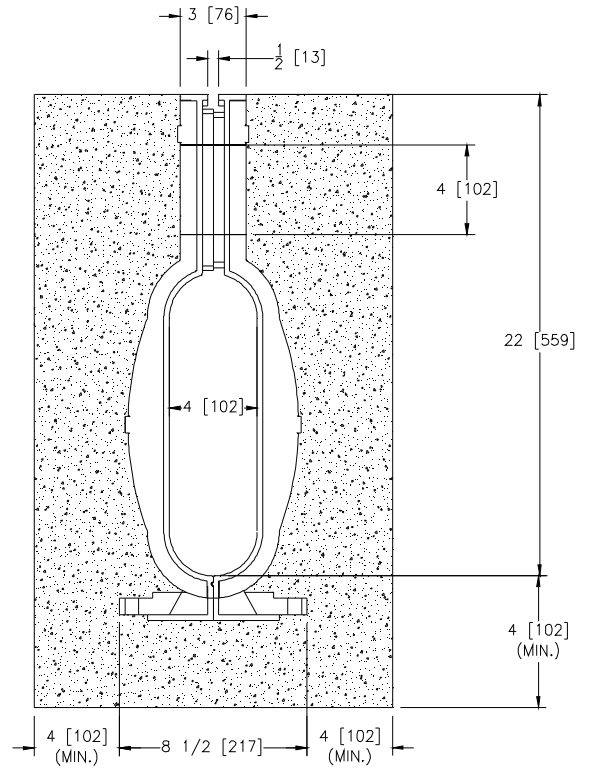
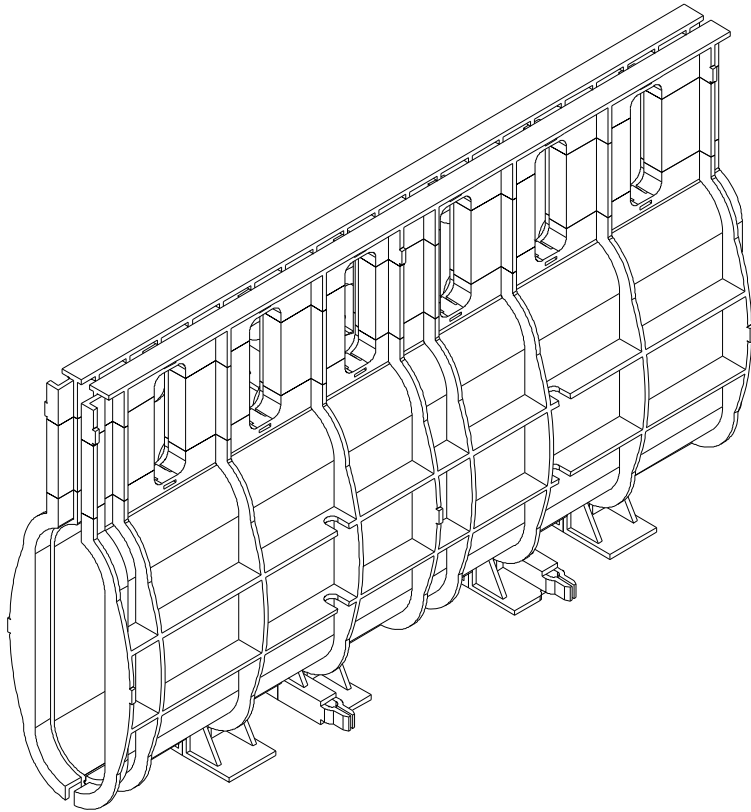
Z888-8-EXT

SLOTTED DRAINAGE SYSTEM WITH 4 [102] EXTENSION

SPECIFICATION SHEET

TAG _____

Dimensional Data (inches and [mm]) are Subject to Manufacturing Tolerances and Change Without Notice



ENGINEERING SPECIFICATION: Zurn Z888-8-EXT

Slot drain shall be 40 [1016] with a 4 [102] throat, a 1/2 [13] wide slot opening (ADA Compliant), and a 4 [102] extension. Drain shall be made of (HDPE) High Density Polyethylene, and is UV-10 stabilized. Drain shall have rebar clips molded onto bedding feet and/or bedding feet shall be used for positioning and anchoring purposes. Overlap connection shall be interlocked.

PREFIXES

___ Z High Density Polyethylene Trench with Integral Top Frame*

SUFFIXES

- ___ -E1 Closed End Cap
- ___ -E2 2 [51] No-Hub End Outlet
- ___ -E3 3 [76] No-Hub End Outlet
- ___ -E4 4 [102] No-Hub End Outlet
- ___ -E6 6 [152] No-Hub End Outlet
- ___ -PVSS Stainless Steel Frame with Slot
- ___ -T6/8 Transition from -6 to -8
- ___ -WS25 1/4 [6] Wide Heel-Proof Slots
- ___ -WS75 3/4 [19] Wide Slots

REV. A DATE: 09/20/13 C.N. NO. 129971

PROD./DWG. NO. Z888-8-EXT

*REGULARLY FURNISHED UNLESS OTHERWISE SPECIFIED