



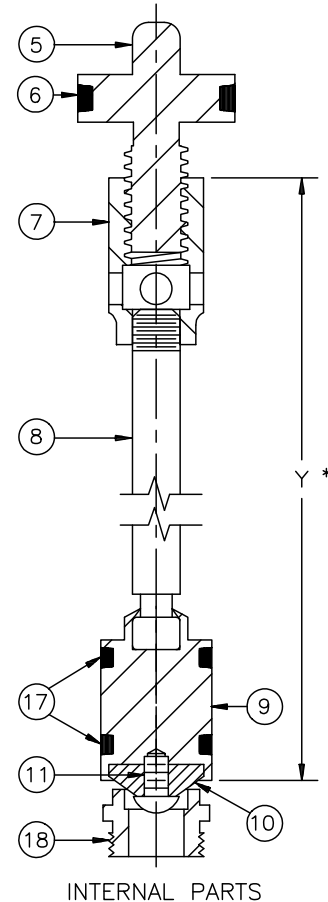
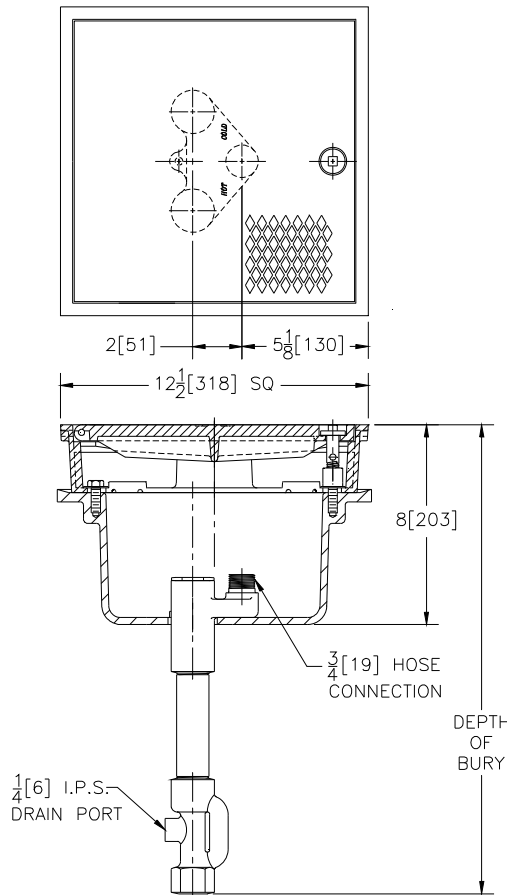
Z1370-76

"VARI-TEMP" GROUND HYDRANT Encased, Hose Storage, Non-Freeze

SPECIFICATION SHEET

TAG _____

Dimensional Data (inches and [mm]) are Subject to Manufacturing Tolerances and Change Without Notice



Depth of Bury Feet	Approx. Wt. Lbs. [kg]
2 [610]	81 [37]
3 [914]	85 [39]
4 [1219]	89 [40]
5 [1524]	93 [42]
6 [1829]	97 [44]
7 [2134]	101 [46]
8 [2438]	105 [48]
9 [2743]	109 [49]
10 [3048]	113 [51]

ENGINEERING SPECIFICATION: ZURNZ1370-76

Encased, "Vari-Temp" combination hot and cold water, non-freeze ground hydrant, for flush with grade or finished floor installation. Complete with bronze casings, all bronze interior parts, replaceable bronze seats and seat washers, non-turning operating rods with free-floating compression closure valves. Cast iron box provides hose storage and is complete with scoriated hinged cover with operating key lock. Hydrant is equipped with a tapped 1/4 [6] drain port in valve housing. (Hose should always be disconnected for storage.)

Note:

- IMPORTANT** Hydrant must be opened one turn to seal drain port during use.

OPTIONS (Check/specify appropriate options)

PREFIXES

- ___ Z D.C.C.I. Box And Scoriated Cover With Galvanized Casing*
- ___ ZB D.C.C.I. Box With Polished Bronze Top And Galvanized Casing
- ___ ZN D.C.C.I. Box With Polished Nickel Bronze Top And Galvanized Casing

SUFFIXES

- ___ -DP14 1/4 [6] IP Drain Port in Box
- ___ -RK Hydrant Parts Repair Kit
- ___ -WR "WATER" Cast on Cover

PARTS LIST

Item	Name	Quan.
5	Operating Screw	1
6	O-Ring	1
7	Operating Coupling	1
8	Operating Rod	1
9	Washer Guide	1
10	Washer (neoprene)	1
11	Screw	1
17	O-Ring	2
18	Removable Seat	1

REV. A DATE: 05/05/08 C.N. NO. 98448

DWG. NO. P-14632 PRODUCT NO. Z1370-76

*WHEN ORDERING REPLACEMENT PARTS SPECIFY DIM.

ZURN INDUSTRIES, LLC. ♦ SPECIFICATION DRAINAGE OPERATION ♦ 1801 Pittsburgh Ave. ♦ Erie, PA 16514

Phone: 814/455-0921 ♦ Fax: 814/454-7929 ♦ World Wide Web: www.zurn.com

In Canada: ZURN INDUSTRIES LIMITED ♦ 3544 Nashua Drive ♦ Mississauga, Ontario L4V1L2 ♦ Phone: 905/405-8272 Fax: 905/405-1292