



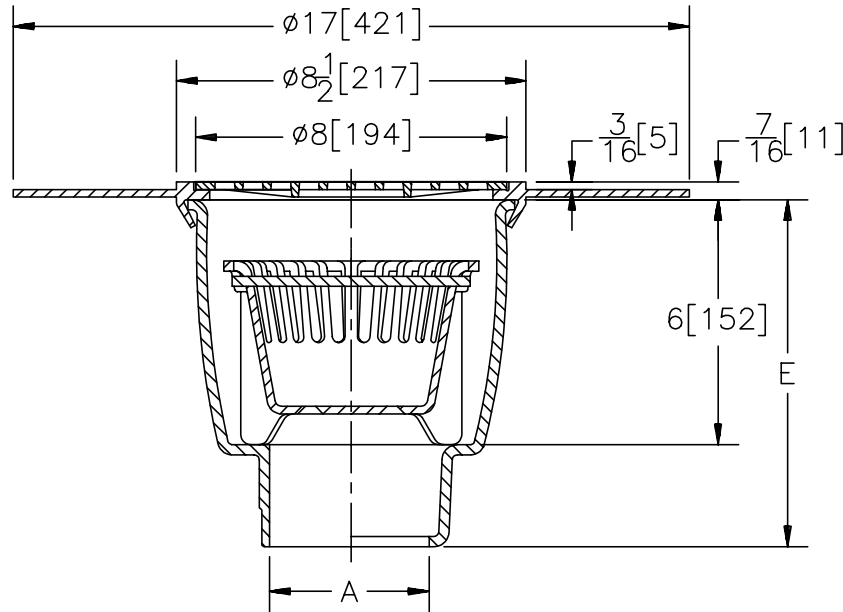
# ZN-1960-77

SPECIFICATION SHEET

## 8 1/2 [216] DIAMETER A.R.E. SANI-FLOR RECEPTOR 6" [152] SUMP DEPTH

TAG \_\_\_\_\_

Dimensional Data (inches and [ mm ]) are Subject to Manufacturing Tolerances and Change Without Notice



A- Pipe Size In.	Approx Wt. Lbs. [kg]	Grate Open Area Sq. In. [cm <sup>2</sup> ]
2-3-4 [50-75-100]	25 [11]	15 [97]

**ENGINEERING SPECIFICATION:** ZURN ZN-1960-77 Sani-Flor Receptor 8 1/2 [216] Dia. x 6 [152] deep cast iron body and nickel bronze frame with dex-o-tex flange and grate, with white acid resisting porcelain enamel interior, complete with aluminum bucket.

**OPTIONS** (Check/specify appropriate options)

**PIPE SIZE**

(Specify size/type) **OUTLET**

**'E' BODY HT. DIMENSION**

2, 3, 4 [50, 75, 100]  
2, 3, 4 [50, 75, 100]

\_\_\_ IC Inside Caulk  
\_\_\_ NH No-Hub

**ZN**  
9 [229]  
9 [229]

**PREFIXES**

\_\_\_ ZN- Cast Iron Body with White A.R.E. Interior, 8 1/2 [216] N.B. Frame and Full Grate with 1/4 [6] Square Openings +Add 1/2 [13] to 8 [203] Dim. and 3/8 [10] to 'E' Dim.

**SUFFIXES**

- |   |   |
|---|---|
| ___ -K Seepage Flange With Seepage Holes                      | ___ -8 Grate w/8 7/8 x 3 5/8 x 3 3/4 [225 x 92 x 95] High Oval Funnel |
| ___ -KC Seepage Flange With Seepage Holes With Clamp Collar   | ___ -11 Vandal Proof Secured Grate                                    |
| ___ -LD (Less) Internal Bottom Dome Strainer                  | ___ -12 Depressed Aluminum Grate                                      |
| ___ -P 1/2 [13] Threaded Trap Primer Connection (See Z-1023)  | ___ -15 Solid Loose Set Cover   |
| ___ -T Square Top   | ___ -16 1/2 Solid Loose Set Cover                                     |
| ___ -1 (Less) Grate   | ___ -17 3/4 Solid Loose Set Cover                                     |
| ___ -2 1/2 Grate  | ___ -18 Solid Loose Set Cover With 2 [51] Square Center Opening       |
| ___ -3 3/4 Grate  | ___ -25 White A.R.E. Bucket   |
| ___ -4 Full Grate With 2 [51] Square Opening                  | ___ -31 Stainless Steel Mesh Liner for Bucket                         |
| ___ -5 Grate w/4 [102] dia. x 3 3/4 [95] High Funnel          | ___ -33 White A.R.E. Anti-Splash Bottom Dome Strainer                 |
| ___ -6 Grate w/6 [152] dia. x 6 [152] High Funnel             |   |
| ___ -7 Grate w/6 3/4 x 3 x 1 [171 x 76 x 25] High Oval Funnel |   |

<b>REV.</b>	<b>DATE: 07/19/95</b>	<b>C.N. NO. 72525</b>
<b>DWG. NO. P-14205 PRODUCT NO. ZN-1960-77</b>		

\*REGULARLY FURNISHED UNLESS OTHERWISE SPECIFIED

ZURN INDUSTRIES, INC. ♦ SPECIFICATION DRAINAGE OPERATION ♦ 1801 Pittsburgh Ave. ♦ Erie, PA 16514

Phone: 814455-0921 ♦ Fax: 814454-7929 ♦ World Wide Web: www.zurn.com

In Canada: ZURN INDUSTRIES LIMITED ♦ 3544 Nashua Drive ♦ Mississauga, Ontario L4V1L2 ♦ Phone: 905405-8272 Fax: 905405-1292