



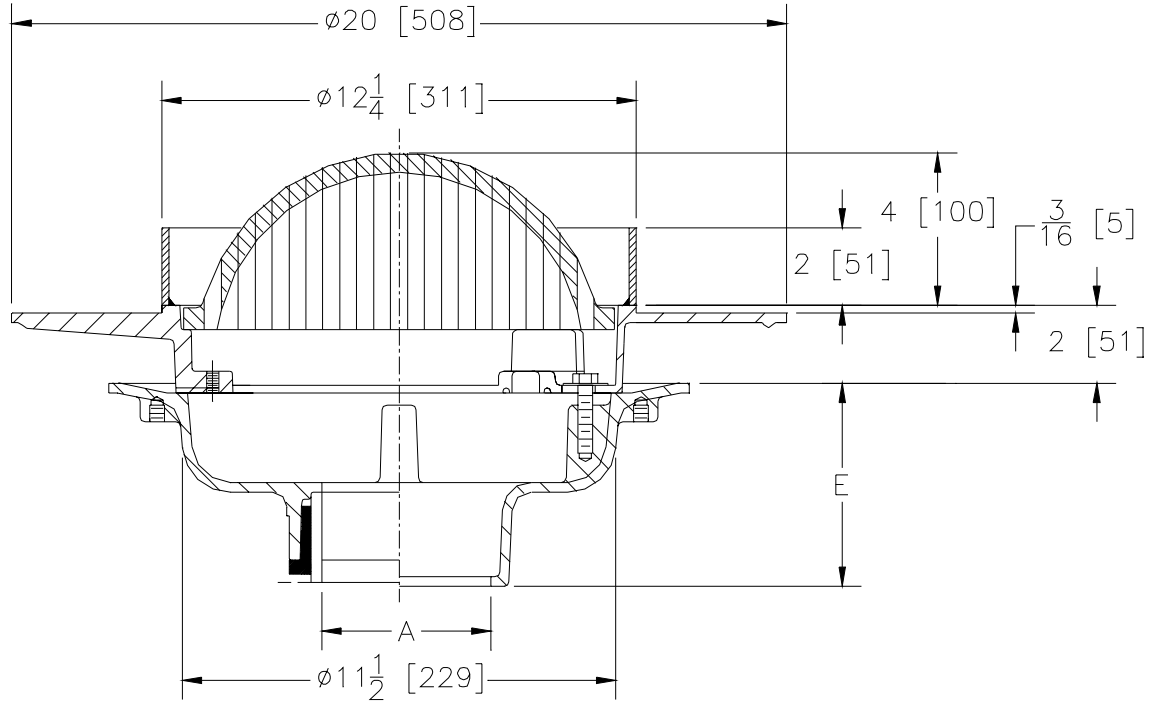
# Z-532-78

## 12" DIAMETER WIDE FLANGE FLOOR DRAIN

SPECIFICATION SHEET

TAG \_\_\_\_\_

Dimensional Data (inches and [ mm ]) are Subject to Manufacturing Tolerances and Change Without Notice



A- Pipe Size In.	Approx. Wt. Lbs.	Grate Open Area Sq. In.
2-3-4-5-6 [50-75-100-127-152]	54 [24]	29 [187]
8-10 [203-254]	56 [25]	

**ENGINEERING SPECIFICATION: ZURN Z-532-78 12 [305]**  
 Diameter wide flange floor drain, Dura-Coated cast iron body with bottom outlet, seepage pan and combination membrane flashing clamp and latex troweling flange with slotted aluminum dome grate with 2" external water dam.

**OPTIONS** (Check/specify appropriate options)

**OUTLET** (Specify type)

- \_\_\_\_\_ **IC** Inside Caulk
- \_\_\_\_\_ **IG** Inside Caulk w/Sealtrol Gskt.
- \_\_\_\_\_ **IP** Threaded
- \_\_\_\_\_ **NH** No-Hub
- \_\_\_\_\_ **NL** Neo-Loc

**PIPE SIZE** (Specify size)

- \_\_\_\_\_ 2 thru 6,8,10 [50 thru 152, 203, 254]
- \_\_\_\_\_ 2,3,4,6 [50, 75, 100, 152]
- \_\_\_\_\_ 2 thru 6,8,10 [50 thru 152, 203, 254]
- \_\_\_\_\_ 2 thru 6,8,10 [50 thru 152, 203, 254]
- \_\_\_\_\_ 2 thru 4 [50 thru 100]

**'E' BODY HT. DIMENSION**

- \_\_\_\_\_ 5-1/4 [133]
- \_\_\_\_\_ 5-1/4 [133]
- \_\_\_\_\_ 3-3/4 [95]
- \_\_\_\_\_ 5-1/4 [133]
- \_\_\_\_\_ 4-1/2 [114]

**PREFIXES**

- \_\_\_\_\_ **Z-** D.C.C.I. Body and Aluminum Dome Grate\*

**SUFFIXES**

- \_\_\_\_\_ **-C** Underdeck Clamp
- \_\_\_\_\_ **-F** Extension Frame (Specify Total Height Required)
- \_\_\_\_\_ **-G** Galvanized Cast Iron
- \_\_\_\_\_ **-VP** Vandal Proof Secured Top

<b>REV.</b>	<b>DATE: 12/14/00</b>	<b>C.N. NO. 86234</b>
<b>DWG. NO. P-14809 PRODUCT NO. Z-532-78</b>		

\*REGULARLY FURNISHED UNLESS OTHERWISE SPECIFIED