

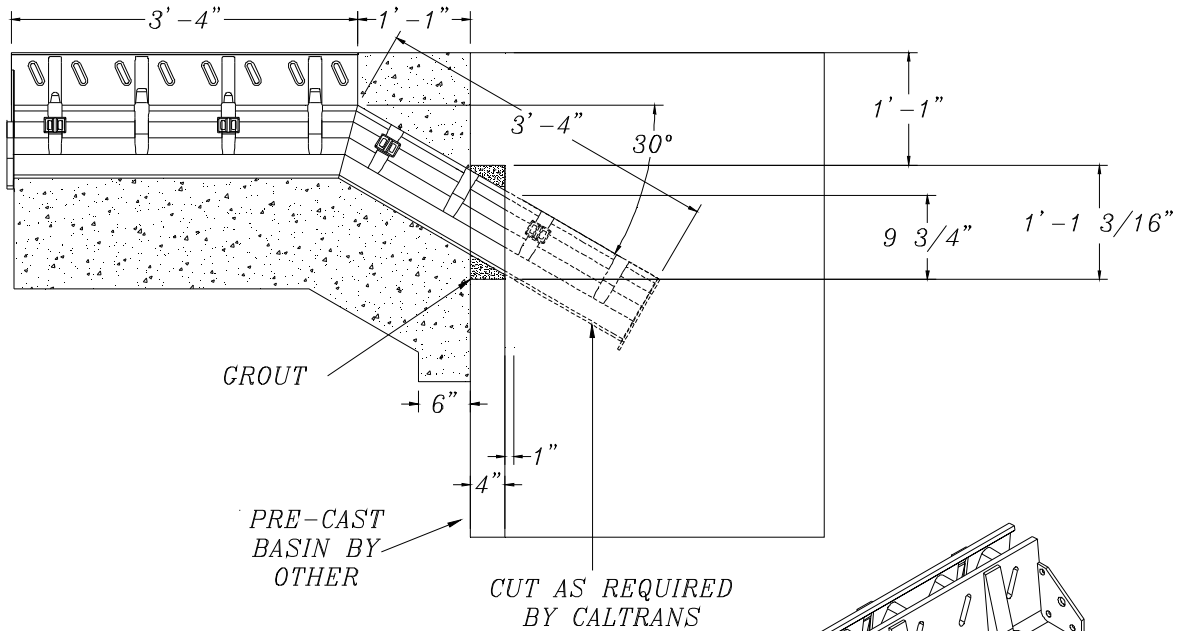


Z888-12-81

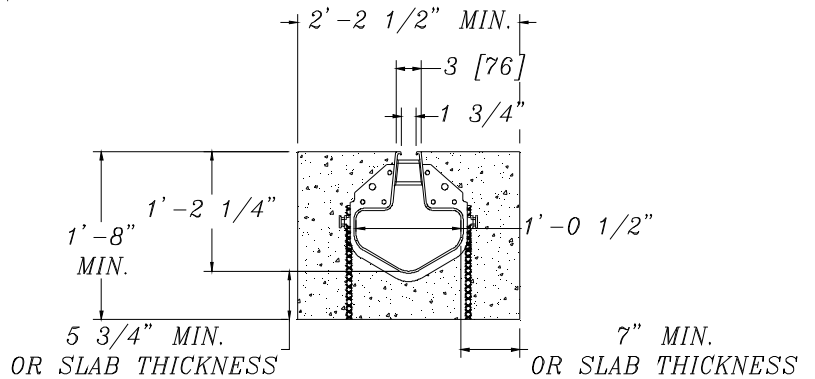
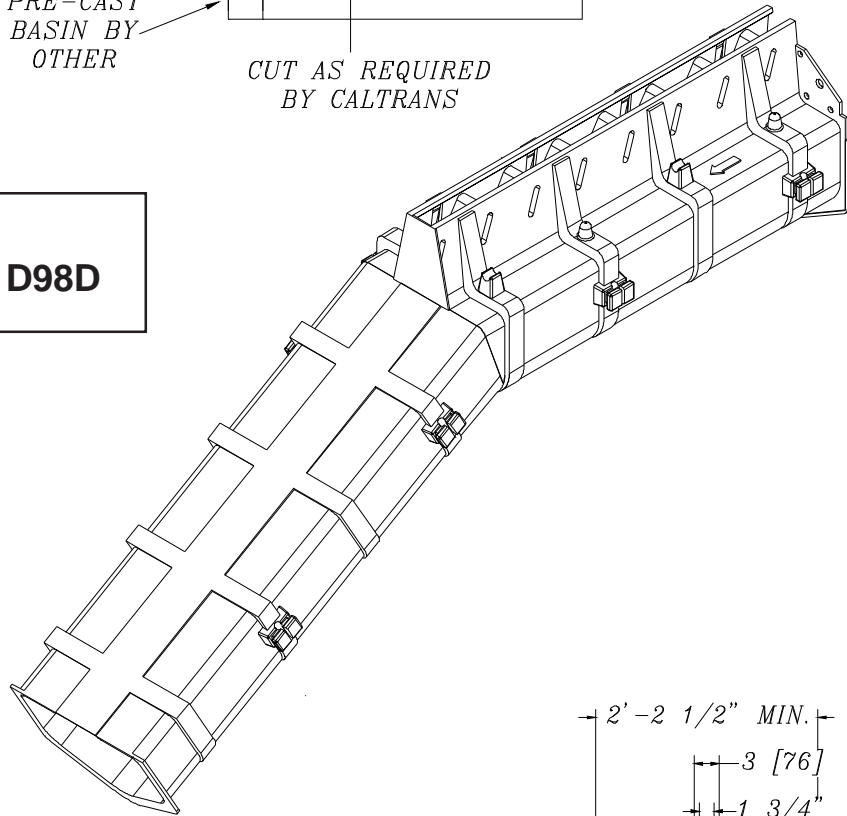
HIGH CAP TRENCH DRAIN, CALTRANS OUTLET

TAG _____

Dimensional Data (inches and [mm]) are Subject to Manufacturing Tolerances and Change Without Notice



***NOTE:**
Per NSP D98D



REV. B	DATE: 07/24/13	C.N. NO. 129689
PROD./DWG. NO. Z888-12-81		

*REGULARLY FURNISHED UNLESS OTHERWISE SPECIFIED

ZURN INDUSTRIES, LLC, FLO-THRU OPERATION, 1801 Pittsburgh Ave. Erie, PA 16514

Phone: 814/455-0921, Fax: 814/454-7929, World Wide Web: www.zurn.com

In Canada: ZURN INDUSTRIES LIMITED, 3544 Nashua Drive, Mississauga, Ontario L4V1L2, Phone: 905/405-8272 Fax: 905/405-1292