



Z887-24-HDS

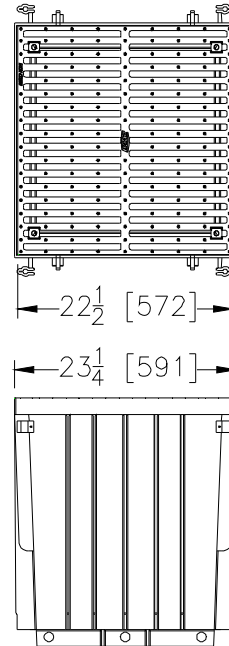
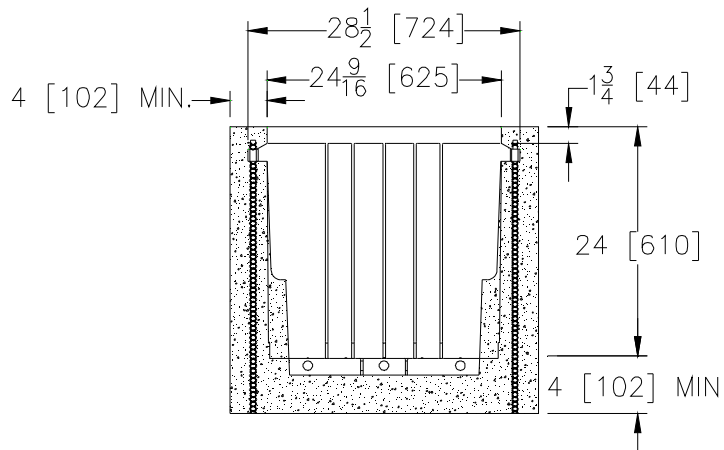
SPECIFICATION SHEET

23-1/4 [591] WIDE REVEAL x 24-5/8 [625] LONG CATCH
BASIN WITH HEAVY-DUTY STAINLESS STEEL FRAME

TAG _____

Dimensional Data (inches and [mm]) are Subject to Manufacturing tolerances and Change Without Notice

SPECIFYING ENGINEER IS
RESPONSIBLE FOR CONCRETE
ENCASEMENT AND
REINFORCING BASED UPON
APPLICATION AND LOCAL CODES



NOTE: + Actual Channel length
is 20 3/4 [527].

ENGINEERING SPECIFICATION Zurn Z887-24-HDS Catch Basin shall be 23-1/4 [591] wide reveal x 24-5/8 [625] long and 24 [610] deep. Catch basin shall be made of 0% water absorbent High Density Polyethylene (HDPE). Shall mechanically lock into the concrete surround. Basin shall weigh less than 20.0 lbs.[9.1 kg]. Catch basin shall have rebar clips standard to secure basin in its final location. Shall be provided with standard DGC grates that lock down to frame. Zurn 22-1/4 [565] wide reveal Ductile Iron Slotted Grate conforming to ASTM specification A536-84, Grade 80-55-06. Ductile Iron grate is rated class C per the DIN EN1433 top load classifications. Supplied in 24 [608] nominal lengths with 11/32 [9] wide slots, and 1-1/2 [38] bearing depth. Grate has an open area of 164.00 sq. in per ft. The 1/4 [6] thick Heavy-Duty Stainless Steel Frame Assembly conforms to either ASTM specification A36 or A536-84, with 4 - 4 [102] long concrete anchors per basin. The frame shall have E-coated finish with 3000hr salt spray testing per ASTM B-117. All welds must be performed by a certified welder per ASTM standard AWS D1.1. Frames Shall be produced in the U.S.A.

PREFIX OPTIONS (Check/specify appropriate options)

___ Z High Density Polyethylene (HDPE) Catch Basin with Stainless Steel Frame*

SUFFIX OPTIONS (Check/specify appropriate options)

Adapters

- ___ -E3/U3 3 [76] No-Hub End/Bottom Outlet Adapter
- ___ -E4/U4 4 [102] No-Hub End/Bottom Outlet Adapter
- ___ -E6/U6 6 [152] No-Hub End/Bottom Outlet Adapter
- ___ -IA Inlet Adapter (Z886)
- ___ -IA Inlet Adapter (Z882)

Grate Options (Load Classifications are per DIN EN1433)

- ___ -BDC Black Acid Resistant Epoxy Coated Ductile Grate – Class C
- ___ -BDE Black Acid Resistant Ductile Grate – Class E
- ___ -DCC Ductile Iron Solid Cover - Class C
- ___ -DGC Ductile Iron Slotted Grate – Class C *
- ___ -DGF Ductile Iron Slotted Grate – Class F
- ___ -GG Fiberglass Grate - Class A

Miscellaneous Options

- ___ -EXT 12 [305] Body Extension
- ___ -Y Sediment Bucket

MADE in the U.S.A. (Load Classifications are per DIN EN1433)

- ___ -FS Stainless Steel Slotted Grate - Class A
- ___ -PS Stainless Steel Perforated Grate - Class A
- ___ -RFS Reinforced Stainless Steel Slotted Grate - Class B
- ___ -RPS Reinforced Stainless Steel Perforated Grate - Class B
- ___ -RPSR-USA Reinforced Stainless Steel Perforated ADA Grate - Class B

REV. -	DATE: 3/14/11	C.N. NO. 121022
DWG. NO. 304946	PRODUCT NO. Z887-24-HDS	

*REGULARLY FURNISHED UNLESS OTHERWISE SPECIFIED

ZURN INDUSTRIES, LLC ♦ SPECIFICATION DRAINAGE OPERATION ♦ 1801 Pittsburgh Ave. ♦ Erie, PA 16514

Phone: 814455-0921 ♦ Fax: 814454-7929 ♦ World Wide Web: www.zurn.com

In Canada: ZURN INDUSTRIES LIMITED ♦ 3544 Nashua Drive ♦ Mississauga, Ontario L4V1L2 ♦ Phone: 905405-8272 Fax: 905405-1292