



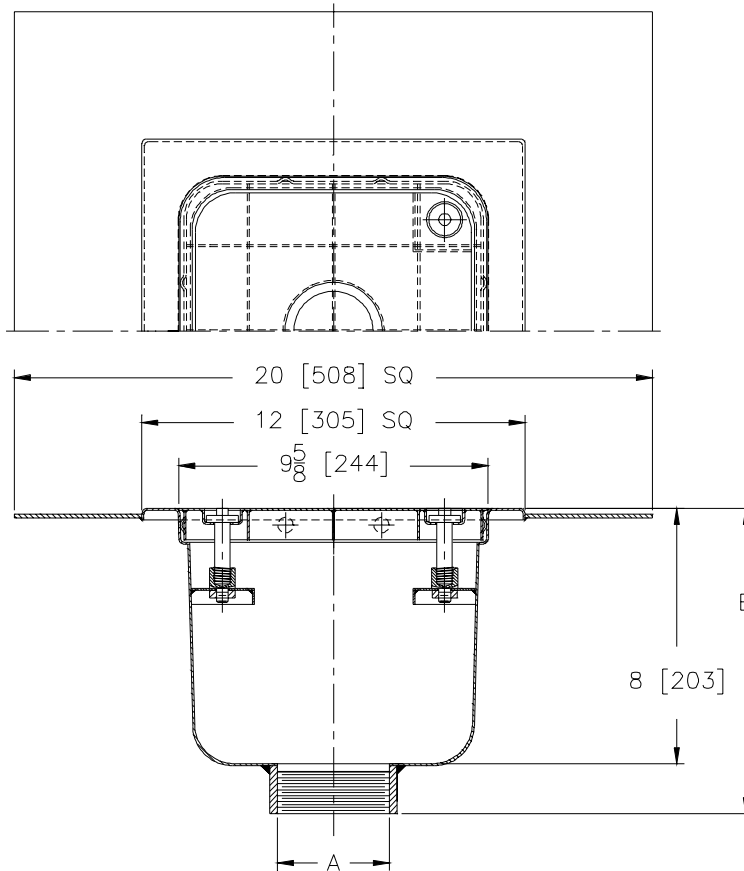
Z-1751-114

SPECIFICATION SHEET

12" X 12" [305 X 305] SANI-FLOR RECEPTOR 8" [203] SUMP DEPTH

TAG _____

Dimensional Data (inches and [mm]) are Subject to Manufacturing Tolerances and Change Without Notice



A- Pipe Size In.	Approx. Wt. Lbs. [kg]	Grate Open Area Sq. In. [cm ²]
2-3-4 [50-75-100]	19 [9]	23 [148]

ENGINEERING SPECIFICATION: ZURNZ-1751-114
12 x 12 x 8 [305 x 305 x 203] deep, 14 gage, All Type 304 (CF8) Stainless Steel light duty Sani-Flor receptor with non-tilt, locking, gasketed, solid cover and anti-splash interior dome strainer.

OPTIONS (Check/specify appropriate options)

PIPE SIZE

2 thru 4 [50 thru 100]
2 [50]
3 [75]
4 [100]
2 thru 4 [50 thru 100]
2 thru 4 [50 thru 100]

(Specify size/type) **OUTLET**

___ IC Inside Caulk
___ IP Threaded
___ IP Threaded
___ IP Threaded
___ NH No-Hub
___ NL Neo-Loc

'E' BODY HT. DIM.

10 9/16 [268]
9 5/16 [237]
9 9/16 [243]
10 1/16 [256]
10 1/16 [256]
9 13/16 [249]

PREFIXES

___ Z- Type 304 (CF8) Stainless Steel Body*
___ ZM- Type 316 (CF8M) Stainless Steel

SUFFIXES

___ -HP Heelproof Grate
___ -P 1/2 Trap Primer Connection
___ -VP Vandal Proof Secured Top
___ -Y Sediment Bucket

REV.	DATE: 5/3/99	C.N. NO. 82481
DWG. NO. P-14713 PRODUCT NO. Z-1751-114		

*REGULARLY FURNISHED UNLESS OTHERWISE SPECIFIED