



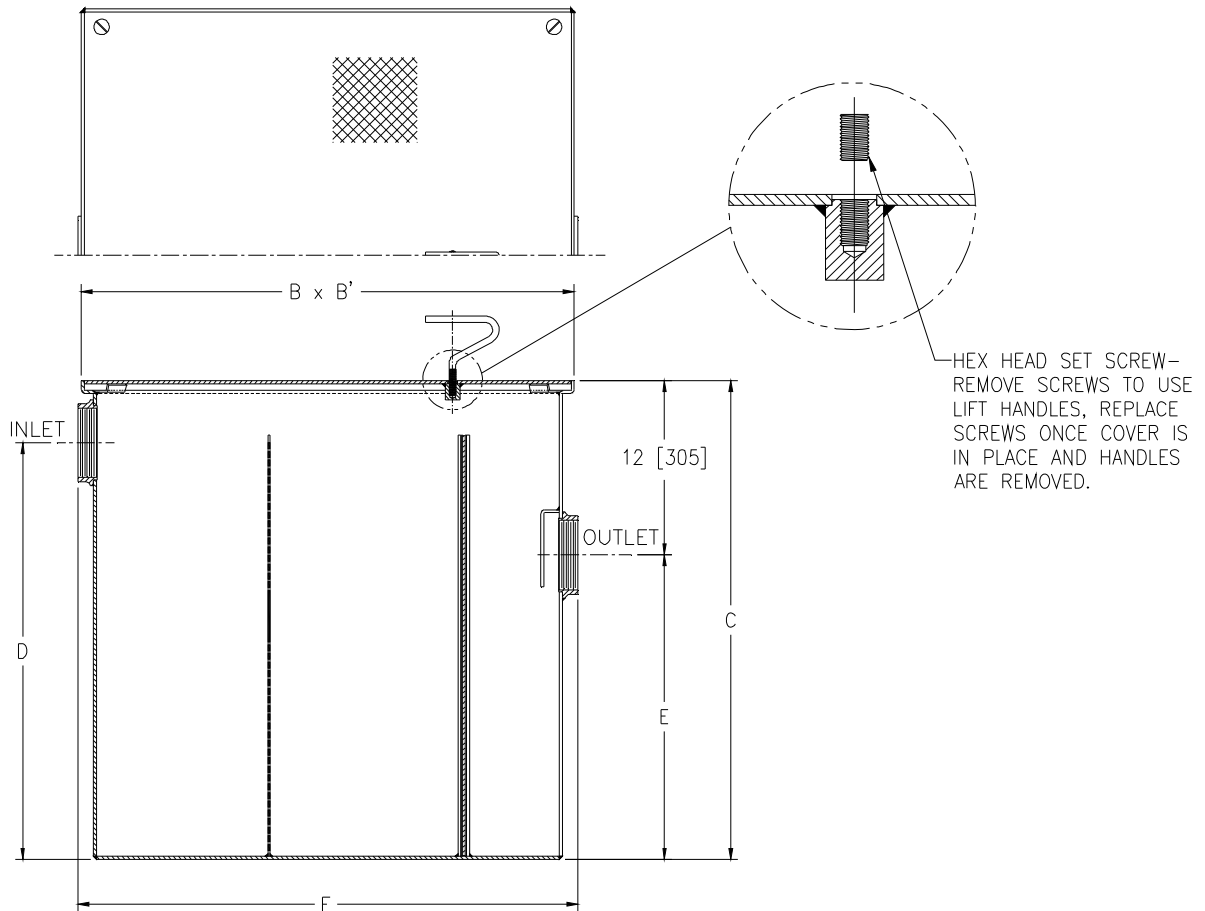
Z1185-160

SIZE 10 LINT INTERCEPTOR WITH OUTLET 12 [305]
FROM THE TOP TO CENTERLINE

SPECIFICATION SHEET

TAG _____

Dimensional Data (inches and [mm]) are Subject to Manufacturing Tolerances and Change Without Notice



Size - No. of Machines	Inlet/Outlet Size In. [mm]	Flow Rate GPM [LPM]	Approx. Wt. Lbs. [kg]	Dimensions in Inches [mm]					
				B	B'	C	D	E	F
10	4 [102]	100 [378]	271 [123]	33 [838]	33 [838]	29 [737]	25 [635]	17 [432]	34 [864]

ENGINEERING SPECIFICATION: ZURN Z1185-160

Acid resistant coated interior and exterior fabricated steel lint interceptor, non-skid secured cover with removable lift handle, aluminum lint intercepting secondary screen assembly, and permanent primary straining baffle with 3/8" [10 mm] diameter perforated holes. Furnished with high inlet and outlet 12" [305mm] from top to centerline.

OPTIONS (Check/specify appropriate options)

PREFIXES

- ___ Z Acid Resistant Coated Fabricated Steel*
- ___ ZS All Type 304 Fabricated Stainless Steel

SUFFIXES

- ___ -E Acid Resistant Coated interior and exterior fabricated steel extension section (Specify 'C' dimension required for recessed installation).
- ___ -RS Aluminum Screen Replacement Assembly

* Regularly furnished unless otherwise specified.