



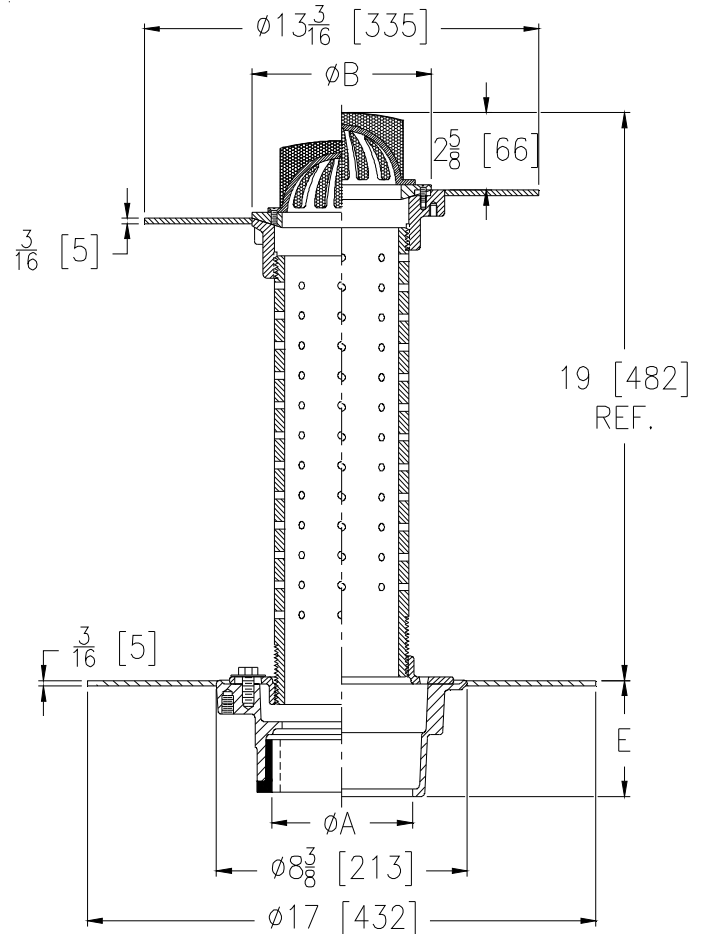
Z181-92

BODY ASSEMBLY W/ "TYPE G" WIDE FLANGE HEAD,
PERFORATED EXTENSION, DEX-O-TEX® FLANGE
& S.S. MESH SCREEN COVERED DOME

SPECIFICATION SHEET

TAG _____

Dimensional Data (inches and [mm]) are Subject to Manufacturing Tolerances and Change Without Notice



A Pipe Size	B Dia. Strainer	Grate Open Area Sq. In. [cm ²]	Approx. Wt. Lbs. [kg]
2-3-4 [51-76-102]	6 [152]	12 [77]	23 [10]

ENGINEERING SPECIFICATION: ZURN Z181-92

Floor and shower drain. Dura-Coated cast iron body with bottom outlet, combination invertible membrane clamp, Dex-O-Tex flange, adjustable collar with "TYPE G" wide flanged head, perforated extension, Ø6 Cornice drain, Dura-Coated cast iron body, plain bronze dome, stainless steel mesh screen & membrane flashing clamp.

OPTIONS (Check/specify appropriate options)

PIPE SIZE

- 2-3-4 [51-76-102]
- 2-3-4 [51-76-102]
- 2 [51]
- 3 [76]
- 4 [102]
- 2-3-4 [51-76-102]
- 2-3-4 [51-76-102]

(Specify size/type) **OUTLET**

- _____ IC Inside Caulk
- _____ IG Threaded
- _____ IP Threaded
- _____ IP Threaded
- _____ IP Threaded
- _____ NH No-Hub
- _____ NL Neo-Loc

'E' BODY HT. DIM.

- 3-7/8 [98]
- 3-7/8 [98]
- 2-3/8 [60]
- 2-5/8 [67]
- 2-7/8 [73]
- 3-7/8 [98]
- 3-3/4 [95]

PREFIXES

- _____ ZRB D.C.C.I. Body Assembly w/ Plain Bronze Top*
- _____ ZB D.C.C.I. Body Assembly w/ Polished Bronze Top
- _____ ZN D.C.C.I. Body Assembly w/ Polished Nickel Bronze Top

SUFFIXES

- _____ -AR Acid Resisting Epoxy Coated Cast Iron
- _____ -BS Bronze Mesh Screen Over Dome
- _____ -CP Chrome-Plated Bronze Dome
- _____ -G Galvanized Cast Iron
- _____ -P Trap Primer Connection (Specify 1/2 [13] or 3/4 [19])
- _____ -TC Neo-Loc Test Cap Gasket (2 - 4 [51 - 402] NL Bottom Outlet Only)
- _____ -U 1 - 3 [25 -76] High Extension Adapter
- _____ -VP Vandal-Proof Secured Top
- _____ -90 90° Side Outlet Body Assembly (2 [51], 3 [76] Only)

*REGULARLY FURNISHED UNLESS OTHERWISE SPECIFIED

REV.	DATE: 03/25/13	C.N. NO. 129023
PROD./DWG. NO. Z181-92		