



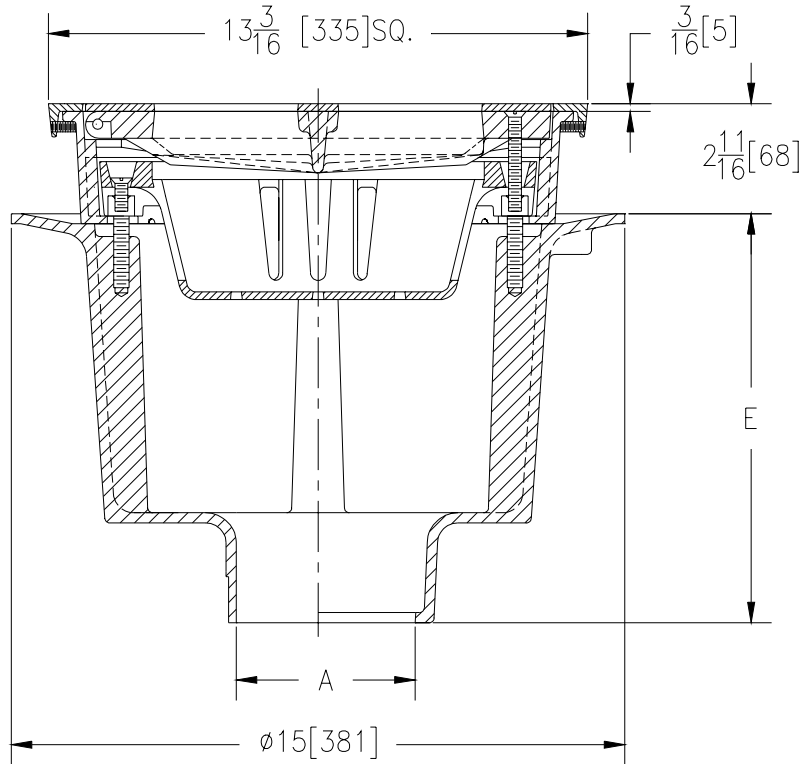
ZN-539-83

12" [305] HEAVY DUTY DRAIN WITH DEEP SUMP

SPECIFICATION SHEET

TAG _____

Dimensional Data (inches and [mm]) are Subject to Manufacturing Tolerances and Change Without Notice



A- Pipe Size In.	Approx. Wt. Lbs. [kg]	Grate Open Area Sq. In. [cm ²]
3-4-5-6 [75-100-125-150]	68 [31]	30 [194]
8 [200]		

ENGINEERING SPECIFICATION: ZURN ZN-539-83

12" [305] Square top drain. Dura-Coated cast iron deep sump body with bottom outlet, seepage pan and combination membrane flashing clamp and frame for hinged heavy duty cast iron secured slotted grate with nickel bronze veneer and secured suspended sediment bucket.

OPTIONS (Check/specify appropriate options)

PIPE SIZE

- 3 thru 6 [75 thru 150]
- 3 thru 6 [75 thru 150]
- 3 thru 6, 8 [75 thru 150, 200]

(Specify size/type) **OUTLET**

- _____ IC Inside Caulk
- _____ IG Inside Caulk w/Sealtrol Gskt.
- _____ NH No-Hub

'E' BODY HT. DIM.

- 10 [254]
- 10 [254]
- 10 [254]

PREFIXES

- _____ ZB- D.C.C.I. Body with Polished Bronze Grate (Add 3/16 [5] to 2 [51] Dim.)
- _____ ZN- D.C.C.I. Body with Polished Nickel Bronze Grate (Add 3/16 [5] to 2 [51] Dim.)*

SUFFIXES

- _____ -DG Duresist Grate
- _____ -G Galvanized Cast Iron
- _____ -LG Loose Grate
- _____ -SC Solid Cover

REV. B	DATE: 8/21/00	C.N. NO. 85826
DWG. NO. P-14623 PRODUCT NO. ZN-539-83		