



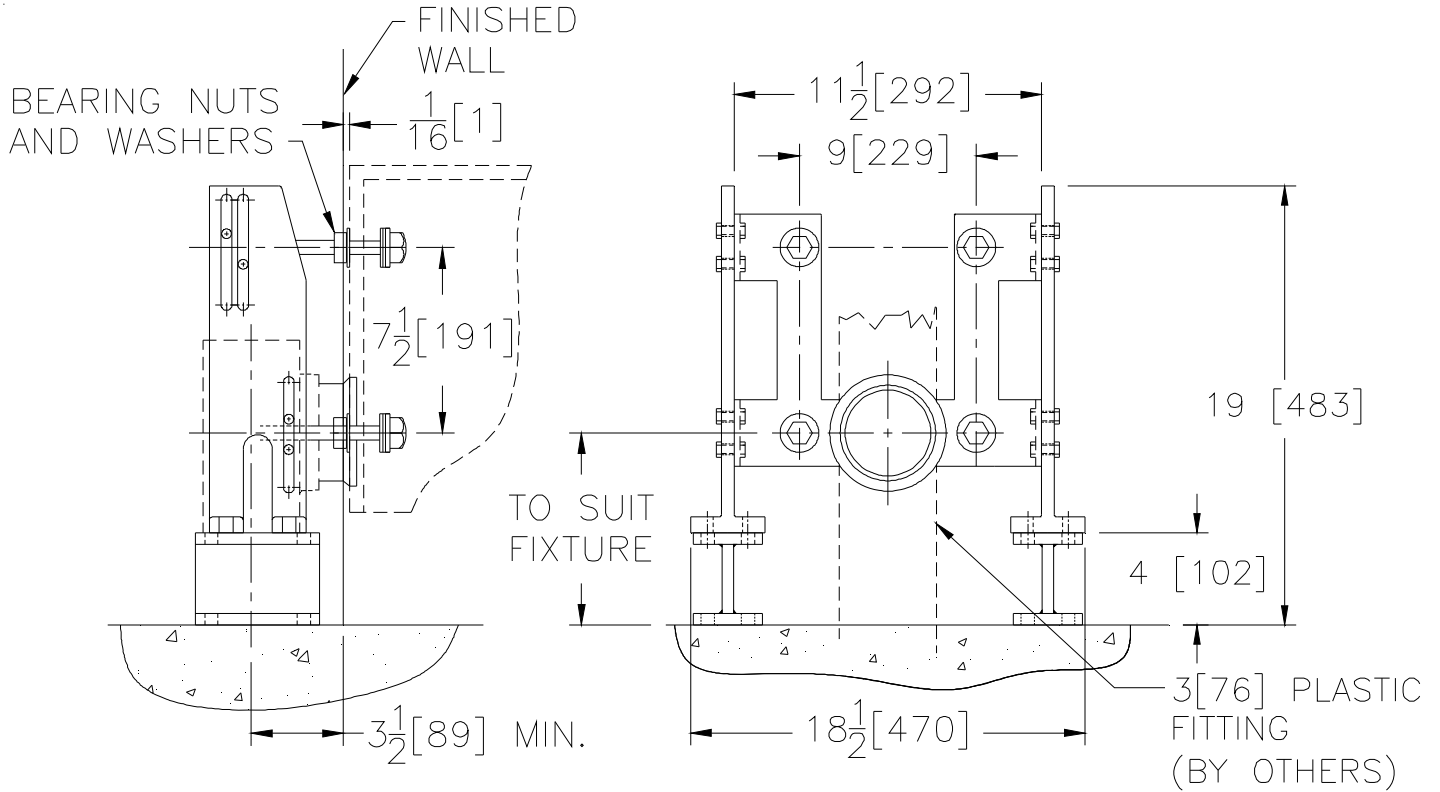
Z1283-X4-Y

WATER CLOSET SUPPORT SYSTEM W/ 4 [102] INCH HIGH FOOT EXTENSION

SPECIFICATION SHEET

TAG _____

Dimensional Data (inches and [mm]) are Subject to Manufacturing Tolerances and Change Without Notice



Product Number	Approx. Wt. Lbs. [kg.]
Z1283-X4-Y	38 [17]

ENGINEERING SPECIFICATION: ZURN Z1283-X4-Y

Water closet support system. Complete with Dura-Coated support brackets, foot support system and coupling support, ABS coupling, fixture bolts, trim and bonded "Neo-Seal" gasket.

OPTIONS (Check/specify appropriate options)

PREFIXES

___ Z Dura-Coated Fitting and Bracket System*

* Regularly furnished unless otherwise specified.