



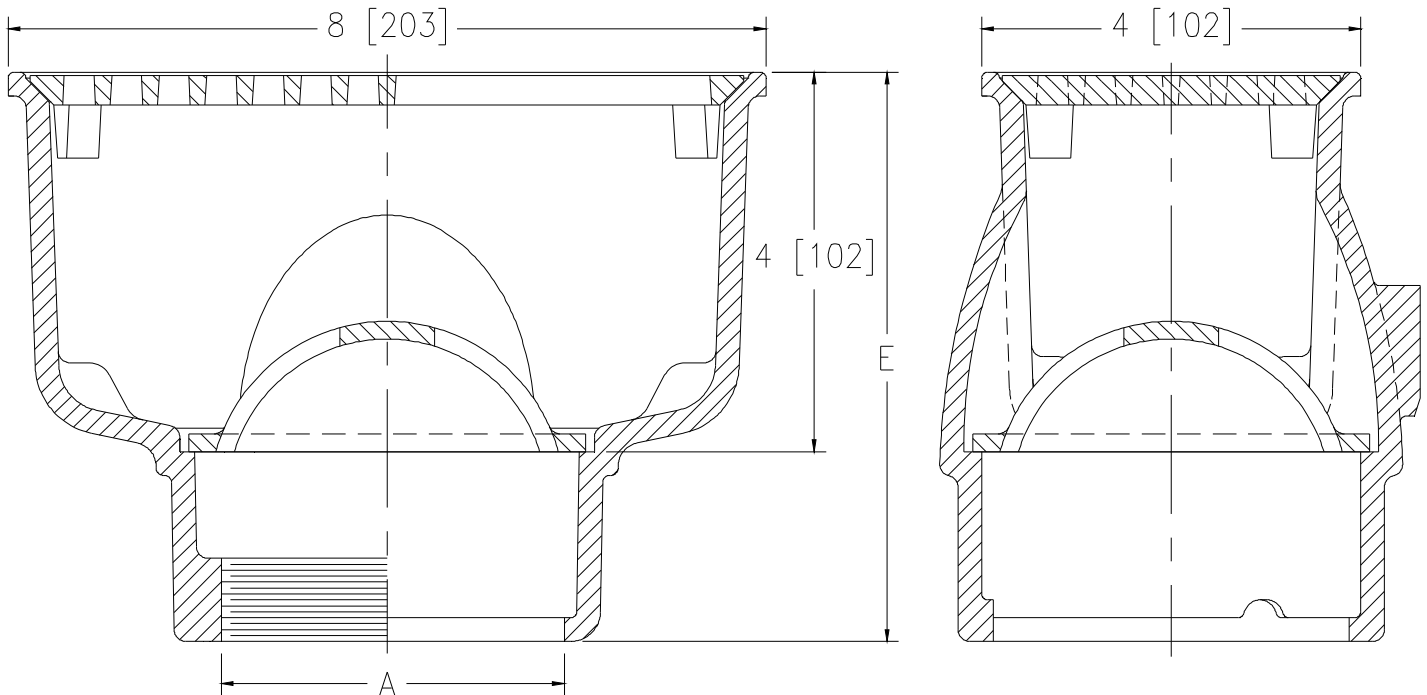
Z1930-2

8 X 4 [203 X 102] A.R.C. SANI-FLOR RECEPTOR
4 [102] SUMP DEPTH W/ 1/2 GRATE

SPECIFICATION SHEET

TAG _____

Dimensional Data (inches and [mm]) are Subject to Manufacturing Tolerances and Change Without Notice



A- Pipe Size In. [mm]	Approx Wt. Lbs. [kg]	Grate Open Area Sq. In. [cm ²]
2,3 [51,76]	10 [5]	14 [90]

ENGINEERING SPECIFICATION: ZURN Z1930-2

Sani-Flor Receptor 8" x 4" x 4" [203mm x 102mm x 102mm] deep cast iron body and 1/2 square slotted light duty grate, with white acid resisting epoxy coated interior and top, complete with white ABS anti-splash interior bottom dome strainer.

OPTIONS (Check/specify appropriate options)

PIPE SIZE

(Specify size/type) **OUTLET**

3 [76]	___ IC	Inside Caulk
2,3 [51,76]	___ IP	Threaded
2,3 [51,76]	___ NL	Neo-Loc

E BODY HT. DIMENSION

Z	ZN
6 [152]	6-3/8 [162]
6 [152]	6-3/8 [162]
5-13/16 [148]	6-3/16 [157]

PREFIXES

___ Z	Cast Iron Body with White A.R.C. Interior*
___ ZN	Cast Iron Body with White A.R.C. Interior, 8-3/4 x 4-3/4 [222 x 121] Nickel Bronze Frame and Full Grate with 5/16 [8] Square Openings

SUFFIXES

___ -K	Anchor Flange with Seepage Holes	___ -11	Vandal Proof Secured Grate
___ -KC	Anchor Flange with Seepage Holes and Clamp Collar	___ -23	Stainless Steel Bucket
___ -LD	Less Internal Bottom Dome Strainer	___ -25	White A.R.C. Bucket
___ -P	1/2 [13] Trap Primer Connection	___ -31	Stainless Steel Mesh Liner for Bucket
___ -S	Secondary Strainer	___ -32	Aluminum Dome Strainer
___ -TC	Neo-Loc Test Cap Gasket (2,3 [51,76] NL Bottom Outlet Only)	___ -33	White A.R.C. Anti-Splash Bottom Dome Strainer

* Regularly furnished unless otherwise specified.