

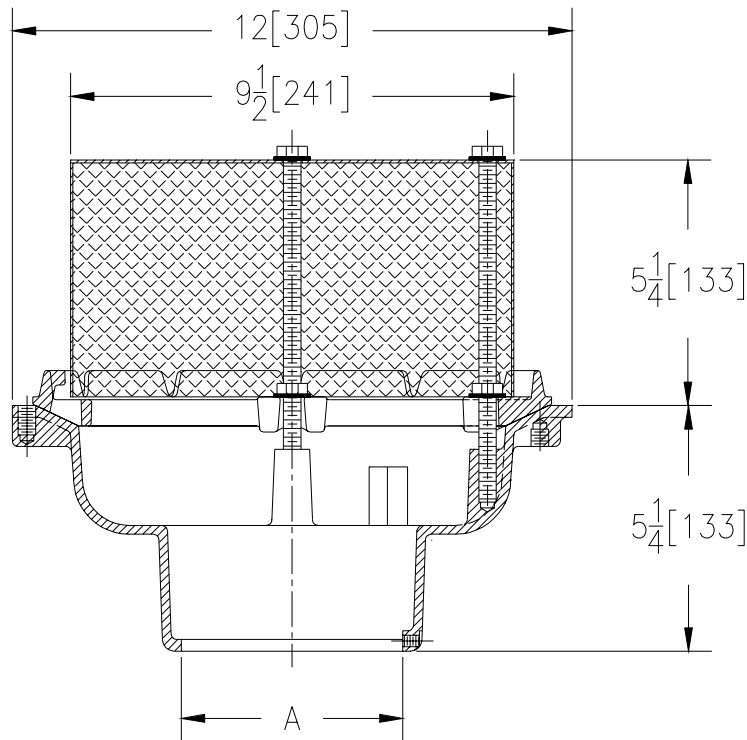


Z-121-98
12 [305] DIAMETER ROOF DRAIN
WITH EXPANDED METAL DOME

SPECIFICATION SHEET

TAG _____

Dimensional Data (inches and [mm]) are Subject to Manufacturing Tolerances and Change Without Notice



A- Pipe Size In.	Approx. Wt. Lbs. [kg]	Dome Open Area Sq. In. [cm ²]
2-3-4-5-6 [50-75-100-125-150]	22 [10]	78 [503]

ENGINEERING SPECIFICATION: ZURN Z-121-98
 12 [305] Diameter roof drain. Dura-Coated cast iron body with combination membrane flashing clamp/gravel guard and galvanized 7 gage-3/4 [19] expanded metal roof drain guard.

OPTIONS (Check/specify appropriate options)

PIPE SIZE

- 2,3,4,6 [50,75,100,150]
- 2,3,4,6 [50,75,100,150]
- 2,3,4 [50,75,100]
- 2,3,4 [50,75,100]

(Specify size/type) **OUTLET**

- _____ IC Inside Caulk
- _____ IP Threaded
- _____ NH No-Hub
- _____ NL Neo-Loc

E BODY HT. DIM.

- 5 1/4 [133]
- 3 3/4 [95]
- 5 1/4 [133]
- 4 5/8 [117]

PREFIXES

- ___ Z- D.C.C.I. Body with Guard*

SUFFIXES

- | | |
|---|---|
| ___ -AR Acid Resistant Epoxy Coated Finish | ___ -XJ Vertical Expansion Joint (See Z-190) |
| ___ -C Underdeck Clamp | ___ -84 Stainless Steel Perforated Gravel Guard |
| ___ -E Static Extension 1 [25] thru 4 [102] (Specify Ht.) | ___ -89 2 [51] High External Water Dam |
| ___ -ES Static Extension With Secondary Clamp | ___ -90 90° Threaded Side Outlet Body |
| ___ -G Galvanized Cast Iron | |
| ___ -R Roof Sump Receiver | |
| ___ -SC Secondary Clamping Collar | |

REV. A	DATE: 12/14/01	C.N. NO. 88215
DWG. NO. P-14615	PRODUCT NO. Z-121-98	

*REGULARLY FURNISHED UNLESS OTHERWISE SPECIFIED