



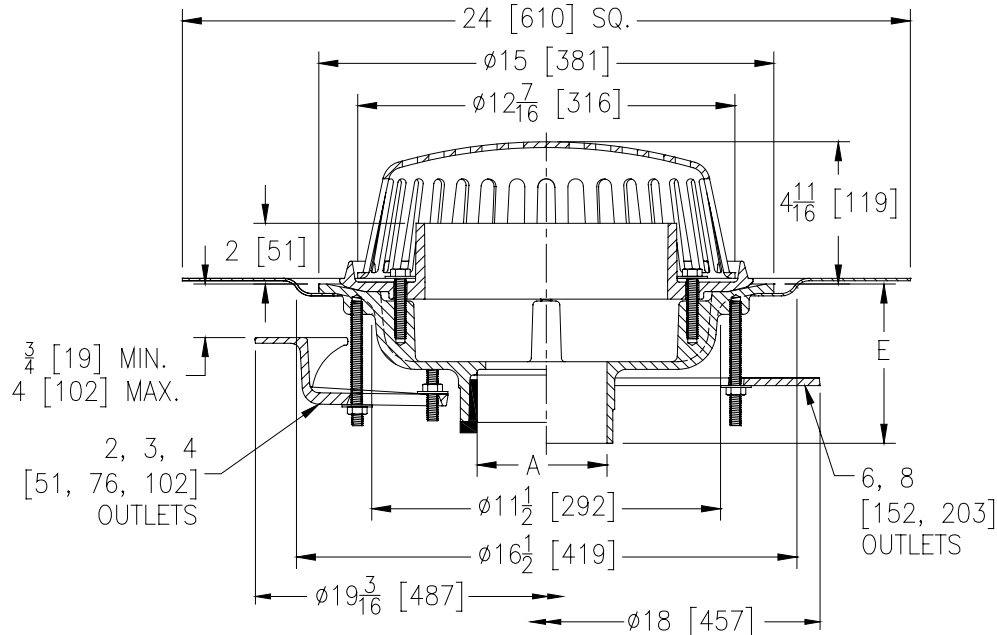
# ZC100-C-R-W2

15 [381] DIAMETER ROOF DRAIN W/ UNDERDECK CLAMP, ROOF SUMP RECEIVER, 2 [51] HIGH WATER DAM AND LOW SILHOUETTE CAST IRON DOME

SPECIFICATION SHEET

TAG \_\_\_\_\_

Design and Dimensional Data (inches and [ mm ]) are Subject to Manufacturing Tolerances and Change Without Notice



'A' Pipe Size In. [mm]	Approx. Wt. Lbs. [kg]	Dome Open Area Sq. In. [cm <sup>2</sup> ]
2,3,4 [51,76,102]	42 [19]	103 [665]
6 [152]	45 [20]	
8 [203]	46 [21]	

**ENGINEERING SPECIFICATION: ZURN ZC100-C-R-W2**  
 15" [381mm] Diameter roof drain. Dura-Coated cast iron body with underdeck clamp, combination membrane flashing clamp/gravel guard, roof sump receiver, 2" [76mm] high internal water dam and low silhouette cast iron dome.

**OPTIONS** (Check/specify appropriate options)

**PIPE SIZE**

- 3, 4, 6 [76, 102, 152]
- 2, 3, 4, 6, 8 [51, 76, 102, 152, 203]
- 2, 3, 4, 6, 8 [51, 76, 102, 152, 203]
- 2, 3, 4 [51,76,102]
- 6 [152]

(specify size/type) **OUTLET**

- \_\_\_ IC Inside Caulk
- \_\_\_ IP Threaded
- \_\_\_ NH No-Hub
- \_\_\_ NL Neo-Loc
- \_\_\_ NL Neo-Loc

**'E' BODY HT. DIM.**

- 5-1/4 [133]
- 3-3/4 [95]
- 5-1/4 [133]
- 4-5/8 [117]
- 5-7/16 [138]

**PREFIXES**

- \_\_\_ ZC D.C.C.I. Body with Cast Iron Dome

**SUFFIXES**

- \_\_\_ -AR Acid Resistant Epoxy Coated
- \_\_\_ -E Static Extension 1 [25] thru 4 [102] (Specify Ht.)
- \_\_\_ -EA Adjustable Extension Assembly 2-1/8 [54] thru 3-1/2 [89]
- \_\_\_ -G Galvanized Cast Iron
- \_\_\_ -SC Secondary Clamp Collar
- \_\_\_ -SS Stainless Steel Mesh Screen Over Dome
- \_\_\_ -ST Dome with Solid Top
- \_\_\_ -TC Neo-Loc Test Cap Gasket 2,3,4 [51,76,102] NL Bottom Outlet Only
- \_\_\_ -VP Vandal-Proof Secured Top
- \_\_\_ -84 Stainless Steel Perforated Gravel Guard.
- \_\_\_ -90 90° Threaded Side Outlet Body

**⚠ WARNING:** Cancer and Reproductive Harm - [www.P65Warnings.ca.gov](http://www.P65Warnings.ca.gov)  
**⚠ ADVERTENCIA:** Cáncer y daño reproductivo - [www.P65Warnings.ca.gov](http://www.P65Warnings.ca.gov)  
**⚠ AVERTISSEMENT:** Cancer et effets néfastes sur la reproduction - [www.P65Warnings.ca.gov](http://www.P65Warnings.ca.gov)

Zurn Industries, LLC | Specification Drainage Operation  
 1801 Pittsburgh Avenue, Erie, PA 16502, Ph. 855.663.9876

In Canada | Zurn Industries Limited  
 7900 Goreway Drive, Unit 10, Brampton, Ontario L6T 5W6, Ph. 877.892.5216

[www.zurn.com](http://www.zurn.com)

Rev. -  
 Date: 04/17/23  
 C.N. No. 145068  
 Prod. | Dwg. No. ZC100-C-R-W2