



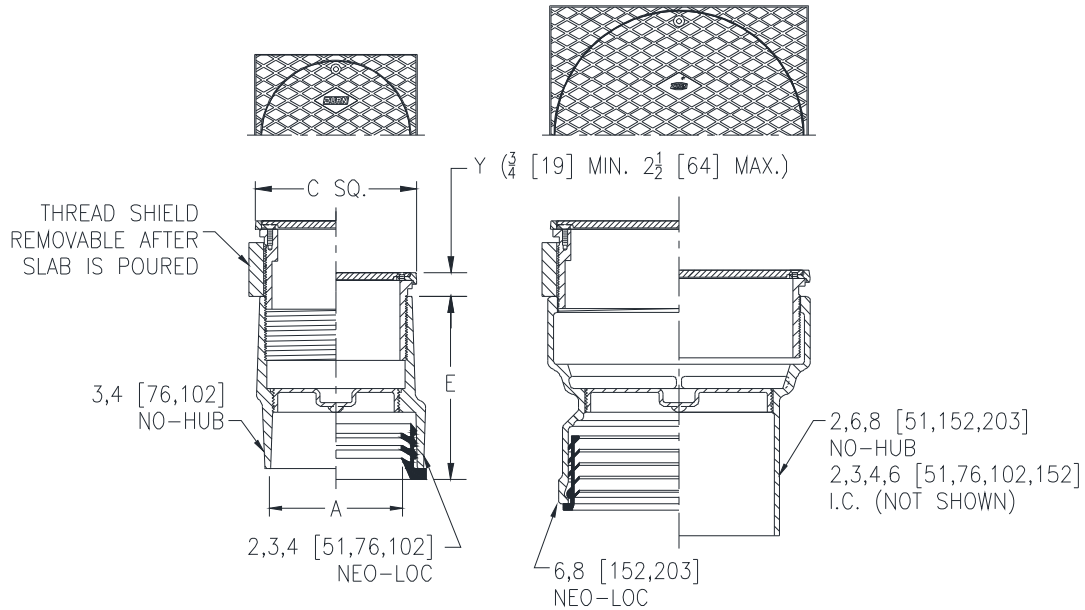
ZN1400-T

"LEVEL-TROL" ADJUSTABLE FLOOR CLEANOUT W/ SQUARE TOP

SPECIFICATION SHEET

TAG _____

Dimensional Data (inches and [mm]) are Subject to Manufacturing Tolerances and Change Without Notice



Dimensions In Inches [mm]			Approx. Wt. Lbs. [kg]
A-Pipe Size	C	E	
Inside Caulk			
2 [51]	6-1/8 [156]	6-7/8 [175]	6 [3]
3 [76]	6-1/8 [156]	6-7/8 [175]	8 [4]
4 [102]	7-1/4 [184]	6-7/8 [175]	9 [4]
6 [152]	9-1/4 [235]	6-7/8 [175]	15 [7]
No-Hub			
2 [51]	4-1/8 [105]	4-5/8 [117]	6 [3]
3 [76]	4-1/8 [105]	4-3/4 [121]	8 [4]
4 [102]	5-1/8 [130]	4-3/4 [121]	9 [4]
6 [152]	8-1/4 [210]	4-3/4 [121]	15 [7]
8 [203]	9-1/4 [235]	7-1/2 [191]	21 [10]
Neo-Loc			
2 [51]	4-1/8 [105]	4-3/4 [121]	6 [3]
3 [76]	5-1/8 [130]	4-3/4 [121]	8 [4]
4 [102]	5-1/8 [130]	4-3/4 [121]	9 [4]
6 [152]	8-1/4 [210]	6-1/2 [165]	15 [7]
8 [203]	9-1/4 [235]	6-1/2 [165]	21 [10]

ENGINEERING SPECIFICATION: ZURN ZN1400-T

"Level-Trol" Adjustable floor cleanout, Dura-Coated cast iron body, with gas and watertight ABS tapered thread plug, and square scoriated secured light-duty polished nickel bronze top, adjustable to finished floor.

OPTIONS (Check/specify appropriate options)

PREFIXES

- ___ ZB D.C.C.I. with Polished Bronze Top
- ___ ZN D.C.C.I. with Polished Nickel Bronze Top*

SUFFIXES

- ___ -AR Acid Resisting Epoxy Coated Finish
- ___ -BP Bronze Plug
- ___ -CF Carpet Flange Cover
- ___ -CM Carpet Marker
- ___ -DC Duresist Cover (Only When -HD is Specified)
- ___ -G Galvanized Cast Iron
- ___ -HD Extra Heavy-Duty Veneer Top - Add 3/4 [19] to 'Y' Dim.
- ___ -K Anchor Flange
- ___ -KC Anchor Flange with Clamp Collar
- ___ -SG Solid Gasketed Cover
- ___ -SM Special Marking Stamped on Top
- ___ -TC Neo-Loc Test Cap Gasket (2,3,4 [51,76,102] NL Bottom Outlet Only)
- ___ -VP Vandal-Proof Screws

PIPE SIZE

2,3,4,6 [51,76,102,152]
 2,3,4,6,8 [51,76,102,152,203]
 2,3,4,6,8 [51,76,102,152,203]

(Specify size/type) OUTLET

- ___ IC Inside Caulk
- ___ NH No-Hub
- ___ NL Neo-Loc

'E' BODY HT. DIM.

See Chart
 See Chart
 See Chart

* Regularly furnished unless otherwise specified.

Zurn Industries, LLC | Specification Drainage Operation
 1801 Pittsburgh Avenue, Erie, PA U.S.A. 16502 · Ph. 855-663-9876, Fax 814-454-7929
 In Canada | Zurn Industries Limited
 3544 Nashua Drive, Mississauga, Ontario L4V 1L2 · Ph. 905-405-8272, Fax 905-405-1292
www.zurn.com

Rev. B
 Date: 10/20/2017
 C.N. No. 138987
 Prod. | Dwg. No. ZN1400-T